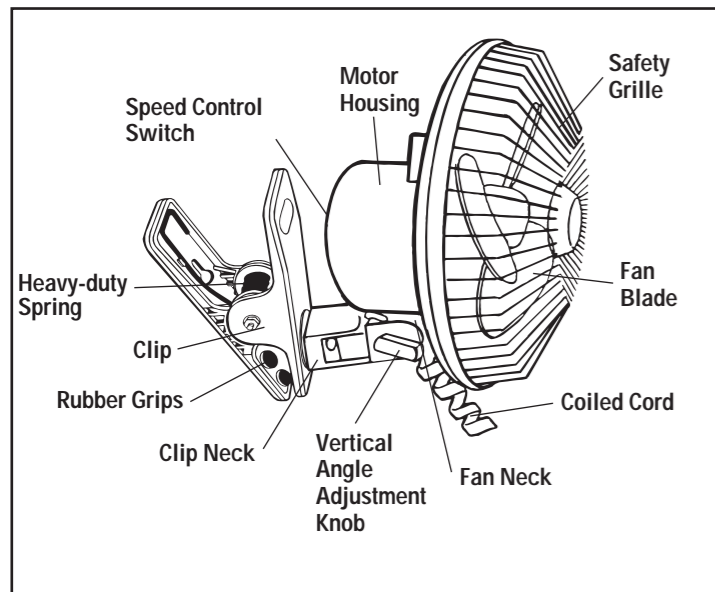
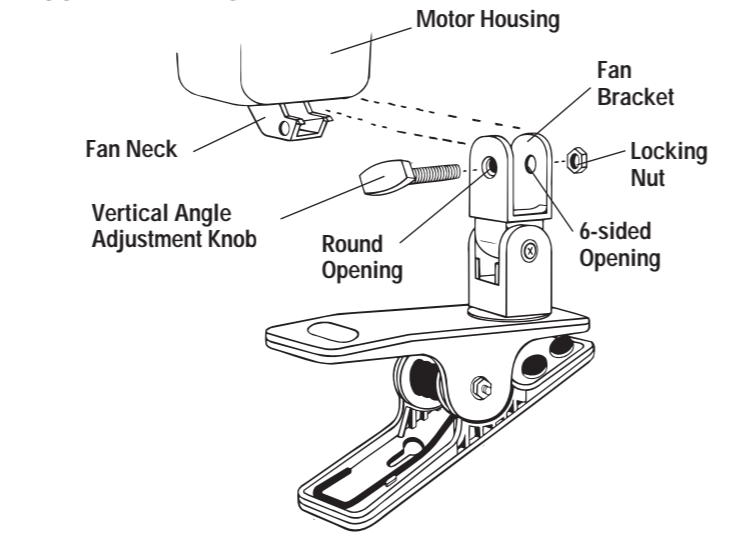


OPERATING INSTRUCTION

PRODUCT MAY VARY SLIGHTLY FROM ILLUSTRATIONS



ASSEMBLY DIAGRAM



LINE CORD SAFETY TIPS

1. Never pull or yank on the cord or the appliance.
2. To insert plug, grasp it firmly and guide it into outlet.
3. To disconnect appliance, grasp plug and remove it from outlet.
4. Before each use, inspect the line cord for cuts and/or abrasion marks. If any are found, this indicates that the appliance should be serviced and the line cord replaced. The line cord may be replaced by qualified service personnel.
5. Never wrap the cord tightly around the appliance, as this could place undue stress on the cord where it enters the appliance and cause it to fray and break.

DO NOT OPERATE APPLIANCE IF THE LINE CORD SHOWS ANY DAMAGE, OR IF APPLIANCE WORKS INTERMITTENTLY OR STOPS WORKING ENTIRELY.

IMPORTANT:

During the first few minutes of initial use, a slight odor may be noticeable. This is normal and will quickly disappear.

HOW TO USE

This appliance is for household use and may be plugged into any 230V electrical outlet (ordinary household current). Do not use any other electrical outlet.

ASSEMBLY INSTRUCTIONS

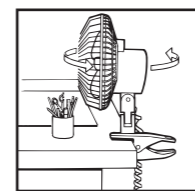
Your fan assembly includes a metal clip with fan bracket to enable you to adjust your fan to an ideal cooling angle. To assemble:

1. Remove vertical angle adjustment knob, if attached.
2. Position fan bracket over fan neck, lining up holes in the fan bracket with those on the fan neck.
3. Place vertical angle adjustment knob through the holes lined up in Step 2. The vertical angle adjustment knob must go through on the side with the round opening.
4. Place the locking nut over the vertical angle adjustment knob so that the nut fits firmly on the side with the 6-sided (hexagonal) opening.
5. Tighten the vertical angle adjustment knob.

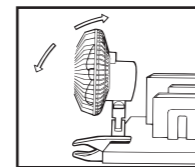
NOTE: Once the nut is in position (on the side of the clip neck that has the 6-sided opening) it is not necessary to hold the nut while turning the vertical angle adjustment knob.

OPERATING INSTRUCTIONS

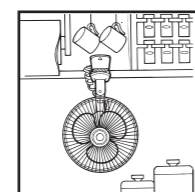
1. Plug into electrical wall outlet.
2. Clip the fan in the desired location.
3. Adjust the direction of the airflow as desired.
4. Switch the speed control to the preferred position.



Once the fan is clipped in position, you can manually rotate the fan a complete 360° or tilt it left to right to find the desired cooling angle, without moving the clip!



Slightly loosen the vertical angle adjustment knob. Move the fan back and forth to find the perfect cooling position for those often stuffy, overheated rooms!



No space above the shelf? Clip the fan upside down, and adjust to desired cooling angle.

CARE AND CLEANING

This appliance requires little maintenance and contains no user serviceable parts. Do not try to fix it yourself. Refer it to qualified service personnel if servicing is needed.

Your fan is permanently lubricated and will not require additional lubrication for the life of the fan.

TO CLEAN: Before cleaning, turn fan off and unplug from electrical outlet. Wipe off excess dust with a lint-free cloth. To ensure adequate air circulation to the motor, keep vents located at the rear of the motor housing free from dust accumulation. A vacuum cleaner hose can be used to clean these vents. Do not submerge your fan in water or any other liquid. Do not allow any liquid to get into the fan or motor.

TO STORE: Make sure to clean the fan before storing. Retain the original packaging for the purpose of storing your fan. Always store fan in a dry place. Never store it while it is still plugged in. **Never wrap the cord tightly around the fan,** and do not put any stress on the cord where it enters the fan, as it could cause the cord to fray and break.

IMPORTANT SAFEGUARDS

If the supply cord is damaged, it must be replaced by the manufacturer or its service agent or similarly qualified person in order to avoid a hazard.

When using electrical appliances, basic safety precautions should always be followed, including the following:

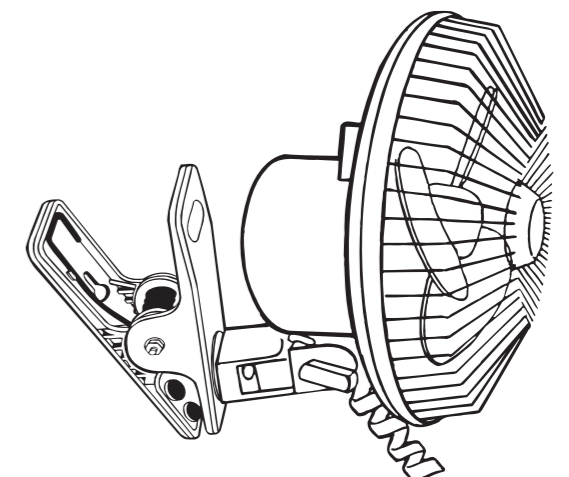
- **READ AND SAVE THESE INSTRUCTIONS.**
- Use fan only for intended use, as described in instruction manual.
- To protect against electrical shock, do not immerse unit, plug, or cord in water or spray with liquids.
- Close supervision is necessary when any appliance is used by or near children.
- Unplug from outlet when not in use, when moving fan from one location to another, before putting on or taking off parts and before cleaning.
- Never insert fingers, pencils or any other objects through the grille when fan is running.
- Disconnect fan before cleaning.
- Make sure fan is clipped on a stable surface.
- Do not use fan in a window. Rain may cause an electrical hazard.
- Do not operate in the presence of explosive and/or flammable fumes.
- Do not place fan or any parts near an open flame, cooking or other heating appliances.
- Do not operate any appliance with a damaged cord or plug, after the appliance malfunctions or has been dropped or damaged in any manner.

- Do not let cord hang over edge of table or counter or touch hot surfaces.
 - To disconnect, grip plug and pull from wall outlet. Never yank on cord.
 - Always use on a dry surface.
 - This product is intended for household use only and not for commercial or industrial use.
 - Do not use fan near curtains, plants, window treatments, etc.
- WARNING: To reduce the risk of fire or electrical shock, do not use this fan with any solid-state speed control device.**

SAVE THESE INSTRUCTIONS

SAVE THIS USE AND CARE BOOK

6" OR 7" 2-SPEED CLIP-ON FAN



PUB No. 177176-00

Printed in Hong Kong

2000/10-12-55E

CF-6
NR-6CFG
NR-6CFP

