

BLACK+DECKER

TM

AIR FRY TOASTER OVEN
FOUR GRILLE-PAIN À
CONVECTION

use and care manual
guide d'utilisation et d'entretien



TO3217SSC



Please Read and Save this Use and Care Book.

IMPORTANT SAFEGUARDS

When using electrical appliances, basic safety precautions should always be followed to reduce the risk of fire, electric shock, and/or injury, including the following:

- READ ALL INSTRUCTIONS BEFORE USING.
- Do not touch hot surfaces. Use handles or knobs.
- To protect against electrical shock, do not immerse cord, plug, or appliance in water or other liquid.
- Close supervision is necessary when any appliance is used by or near children.
- Unplug from outlet when not in use and before cleaning. Allow time to cool before putting on or taking off parts.
- Do not operate any appliance with a damaged cord or plug, or if the appliance malfunctions or has been damaged in any manner. Contact consumer support at the toll-free number listed in the warranty section.
- The use of accessory attachments not recommended by the appliance manufacturer may cause injuries.
- Do not use outdoors.
- Do not let cord hang over edge of table or counter, or touch hot surfaces.
- Do not place on or near a hot gas or electric burner, or in a heated oven.
- Extreme caution must be used when moving an appliance containing hot oil or other hot liquids.
- To disconnect, turn the Timer and Toast shade knobs to the O position (OFF). Then unplug from wall outlet.
- Do not use appliance for other than intended use.
- Use caution when removing tray or disposing of hot grease.
- Do not clean oven with metal scouring pads. Pieces can break off the pad and touch electrical parts, causing risk of electric shock.
- Do not attempt to clean the heating elements.
- Oversized foods or metal utensils must not be inserted in a toaster oven, as they may create fire or risk of electric shock.
- A fire may occur if the toaster oven is covered or touching flammable materials including curtains, draperies, walls, and the like, when in operation. Do not store any item on top of the unit while in operation.
- Extreme caution should be exercised when using containers constructed of other than metal or glass.
- Do not store any material, other than manufacturer's recommended accessories, in this oven when not in use.
- Do not place any of the following materials in the oven: paper, cardboard, plastic, and other items not constructed of oven safe metal and glass pans.
- Do not cover crumb tray or any part of this oven with metal foil. This will cause overheating in the oven.

- This appliance is not intended for use by persons (including children) with reduced physical, sensory or mental capabilities, or lack of experience and knowledge, unless they have been given supervision or instructions concerning use of the appliance by a person responsible for their safety.
- Children should be supervised to ensure that they do not play with the appliance.
- The appliance is not intended to be operated by means of an external timer or separate remote-control system.
- Do not leave unattended while in operation. Food ignition may occur. If this happens, unplug the unit, but DO NOT open door. To reduce the risk of fire, keep oven interior completely clean and free of food residues, oil, grease and other combustible materials.

SAVE THESE INSTRUCTIONS.

This product is for household use only.

GROUNDING PLUG

As a safety feature, this product is equipped with a grounded plug, which will only fit into a three-prong outlet. Do not attempt to defeat this safety feature. Improper connection of the grounding conductor may result in the risk of electric shock. Consult a qualified electrician if you are in doubt as to whether the outlet is properly grounded.


TAMPER-RESISTANT SCREW

Warning: This appliance is equipped with a tamper-resistant screw to prevent removal of the outer cover. To reduce the risk of fire or electric shock, do not attempt to remove the outer cover. There are no user-serviceable parts inside. Repair should be done only by authorized service personnel.

ELECTRICAL CORD

- a) A short power-supply cord is provided to reduce the risks resulting from becoming entangled in or tripping over a longer cord.
- b) Extension cords are available and may be used if care is exercised in their use.
- c) If an extension cord is used:
 - 1) The marked electrical rating of the extension cord should be at least as great as the electrical rating of the appliance;
 - 2) If the appliance is of the grounded type, the extension cord should be a grounding-type 3-wire cord; and
 - 3) The cord should be arranged so that it will not drape over the counter top or tabletop where it can be pulled on by children or tripped over.

Note: If the power cord is damaged, please contact the warranty department listed in these instructions.

	<h2 style="text-align: center; margin: 0;">CAUTION</h2> <p style="text-align: center; margin: 10px 0 0 0;">THIS OVEN GETS HOT. WHEN IN USE, ALWAYS USE OVEN MITTS OR POT HOLDERS WHEN TOUCHING ANY OUTER OR INNER SURFACE OF THE OVEN.</p>
---	---

GETTING TO KNOW YOUR AIR FRY TOASTER OVEN




- † 1. Air Fry mesh cooking rack (Part# TO3215-01)
- † 2. Rack (Part# TO3250-06)
- † 3. Bake pan/drip tray (Part# TO3250-05)
- 4. Easy-view glass door
- 5. Power indicator light
- 6. Temperature/cooking function knob
- 7. Timer knob
- 8. Toast shade knob
- † 9. Crumb tray* (Part# TO3217-01)


*See Getting Started section for correct position.

Note: † indicates consumer replaceable/removable parts



There are three ways to turn the toaster oven ON:

- Turn Timer knob past 20 and then to desired time.
- Turn Timer knob to “Stay On”.
- Turn the Toast shade knob past medium shade  and then to desired toast shade.

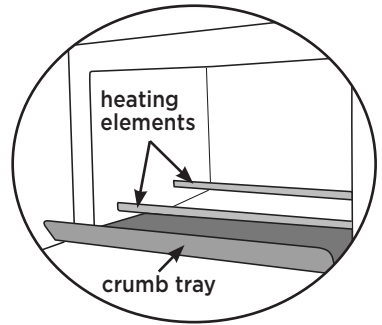
To turn OFF turn the Timer and Toast shade knobs to the  position.

Product may vary slightly from what is illustrated.

GETTING STARTED


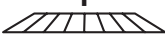

This appliance is intended for household use only.

- Remove all packing material, any stickers, and the plastic band around the power plug.
- Remove and save literature.
- Please go to www.prodprotect.com/blackanddecker to register your warranty.
- Wash all removable parts as instructed in Care and Cleaning Section.
- Select a location where this unit is to be used, allowing enough space from the back of the unit and wall to allow heat to flow without damage to cabinets and walls. During operation, the unit should have 6 inches or more of clearance around sides, back, and top.
- Before use, make sure that the crumb tray is inserted below the heating elements.



Important information about using your oven

- This oven gets hot. When in use, always use oven mitts or potholders when touching any outer or inner surface of the oven.
- When using the oven for the first time, you may notice smoke or a slight odor during the first few minutes. This is normal.
- Be sure food or baking pan does not come within 1 1/2 inches (3.8 cm) of the top heating elements.
- Food should not extend beyond the edges of the baking pan to avoid drippings from falling onto the heating elements.
- Many factors influence cook times such as altitude, humidity and variations in electrical grids. For best results, monitor the end of the cook cycle.
- **Cooking Containers:** Metal, ovenproof glass or ceramic bakeware can be used in your oven. Follow the manufacturer's instructions. Be sure the top edge of the container is at least 1 1/2 inches (3.81cm) away from the upper heating elements.
- Temperatures in the oven will be lower than your set point. This is due to advanced heating elements used in this oven. Temperature dial settings have been calibrated to provide expected results for most recipes taking into account the advanced heating elements.
- You must set the timer or select Stay On for the oven to function.
- You can cook your food 3 ways:
 - Use the bake pan/drip tray placed on the slide rack.
 - Place the bake pan/drip tray under the slide rack / broil rack.
 - Place food on Air Fry mesh rack

 +  OR 

BAKE

Note: For best results, when baking or cooking, preheat the oven for at least 10 minutes at the desired temperature setting.

Note: This oven has been designed to cook rapidly. Please inspect your items earlier than the prescribed cook time for a conventional oven to ensure that they do not get overcooked.

Open oven door and insert rack to the middle rack position.

1. Place items to be baked directly on wire rack or place pan on wire rack.
2. If the items are going to be placed directly on the wire rack, slide the baking pan into the guide under the wire rack to catch drippings during baking.
3. Set temperature selector knob to the desired temperature.
4. Turn TIMER selector knob to 20 and then turn to desired baking time. Select Stay On to bake longer than 60 minutes or to control cooking time yourself. The power indicator light comes on and remains on during the entire baking time.

Note: You must set the timer for the oven to function.

5. Once oven has preheated, open oven door and insert food. Close oven door.
6. If using the oven timer, there will be an audible signal once the baking cycle is complete. The oven turns off and the power indicator light goes out. If not using the oven timer, turn the oven off once the cooking cycle is complete.
7. Open the oven door. Using oven mitts or pot holders, slide the rack out to remove the cooked food.
8. Unplug appliance when not in use.

AIR FRY

Air Fry technology uses high intensity hot air to bake, brown, and crisp your favorite fried foods with little to no oil.

This mode operates the oven at 425°F. Use the cook times listed in the cooking chart on page 9 or follow the food package recommendations for baking. Adjust the cook time as needed to achieve your preferred crispiness.

Note: It is not necessary to preheat the oven for air frying.

Note: Arrange your food in a single layer on the mesh rack for optimal air frying results. Stacking food in multiple layers may result in improperly cooked food and slower cook times.

1. Place food on Air Fry mesh rack. No other racks, pans, or trays are needed. Make sure that the crumb tray is inserted below the heating elements.
2. Open door and slide Air Fry mesh rack with food into the middle or lower rack position.
3. Set Temperature selector knob to AIR FRY position.

4. Turn TIMER selector knob to 20 and then turn to desired Air Frying time. Select Stay On to air fry longer than 60 minutes or to control cooking time yourself. The power indicator light comes on and remains on during the entire Air Frying time.

Note: You must choose Stay On or set the timer for the oven to start.

5. If using the oven timer, there will be an audible signal once the Air Fry cycle is complete. The oven turns off and the power indicator light goes out. If not using the oven timer, turn the oven off once the cooking cycle is complete.
6. Open the oven door. Using oven mitts or pot holders, slide the rack out to remove the cooked food.

Note: Clean out the crumb tray frequently when using the air fry setting.

7. Unplug the appliance when not in use.

BROIL OR

For optimal results use upper rack position. Be sure food or baking dish does not come within 1 1/2 inches of the top heating element.

1. Set temperature selector knob to BROIL.
2. Set the timer selector knob to 20 then turn back or forward to desired broiling time. Select Stay On to bake longer than 60 minutes or to control cooking time yourself. The power indicator light comes on and remains on during the entire broiling time.


Note: You must set the timer for the oven to function.

3. Once the oven is preheated, open oven door and insert food. Close oven door.
4. If using the oven timer, there will be an audible signal once the broiling cycle is complete. The oven turns off and the power indicator light goes out. If not using the oven timer, turn the oven off once the cooking cycle is complete.
5. Open the oven door. Using oven mitts or pot holders, slide the rack out to remove the cooked food.
6. Unplug appliance when not in use.

Note: For best results when broiling meat, turn over the meat half-way through broiling.

TOAST

It is not necessary to preheat the oven for toasting.

1. Set temperature selector knob to TOAST position.
2. Open oven door and insert rack in the lower rack position. The toaster will hold a maximum of 6 slices of bread, placed in a single layer.
3. Place items to be toasted directly on slide rack in the lower rack position and close the door.
4. Turn toast shade selector knob to middle  and then turn to desired toast shade.
5. The power indicator light comes on and remains on until toasting cycle is complete.

6. When toast cycle is complete, there will be an audible signal. The oven and the power indicator light will turn off.
7. Open the oven door. Using oven mitts or pot holders, slide the rack out to remove the toast.
8. Unplug appliance when not in use.

Note: You must set the toast shade selector knob as desired for the oven to begin toasting.

KEEP WARM

1. Place rack in the middle rack position.
2. Set Temp selector knob to Warm position.
3. Turn Timer knob to “Stay On” or turn Timer knob past 20 and then to desired time.
4. Open the oven door. Using oven mitts or pot holders, slide the rack out to remove the food.
5. Unplug appliance when not in use.

CARE AND CLEANING

This product contains no user serviceable parts. Refer service to qualified service personnel.

Important: Before cleaning any part, be sure the oven is off, unplugged, and cool.

Note: Do not allow food debris to accumulate in oven cavity. Do not use aerosol or spray oven cleaners.

1. Clean the glass door with a sponge, soft cloth, or nylon pad and dish soap and warm water. Do not use a spray cleaner.
2. Remove crumb tray, wire rack, air fry mesh cooking rack, and bake pan and wash them in hot water with dish soap. To remove stubborn spots, use a polyester or nylon pad.

Note: The rack and air fry mesh cooking rack, are dishwasher safe. We recommend washing the bake pan and crumb tray by hand in hot water with dish soap.

3. Wipe the outside of the oven with a damp cloth or sponge. Dry thoroughly.
4. Do not attempt to clean the heating elements. Any food that comes into contact with the elements will burn off on its own.

If additional assistance is needed, please contact our consumer service team at
1-800-465-6070.

FOOD	COOK TIME*
Frozen Food	
Chicken Nuggets	13-16 min. or until crisp and golden brown.
Chicken Strips	25-28 min. or until crisp and golden brown.
Fish Sticks	10-12 min. or until crisp and golden brown.
Breaded Onion Rings	10-12 min. or until breading is crisp.
Breaded Mushrooms	16-20 min. or until breading is crisp.
Mozzarella Sticks	10-12 min. or until breading is crisp.
Jalapeño Poppers	14-16 min. or until breading is crisp.
Corn Dogs	23-25 min. if frozen. Rotate front to back halfway through cooking.
Potato Skins	13-15 min. or until hot and cheese is melted.
Straight or Crinkle Cut Fries	18-24 min. or until golden brown.
Thick Steak Fries	20-25 min. or until golden brown.
Thin Shoestring Fries	14-18 min. or until golden brown.
Seasoned Potato Nuggets	20-25 min. or until golden brown.
Broccoli (Frozen)	18-20 min. Spray florets with a little pan spray. Season with salt and pepper.
Cauliflower (Frozen)	18-20min Spray florets with a little pan spray. Season with salt and pepper.
Fresh Vegetables	
Potato Wedge/Fries	20-25 min. or until golden brown.
Broccoli	10 min. Toss florets in 1-2 Tbsp. of oil. Season with salt and pepper.
Cauliflower	15-17 min. Toss florets in 1-2 Tbsp. of oil. Season with salt and pepper.
Poultry	
Chicken Wings (Thawed/Fresh)	20-25 min. or until internal temp is 165°F / 75°C.
Chicken Drumsticks (Thawed/Fresh)	20-30 min. or until internal temp is 165°F / 75°C.

*For these and other foods, please review manufacturer suggested cook times for baking.

Note: Do not air fry frozen raw meats (i.e. burgers, steaks).

NEED HELP?

For service, repair or any questions regarding your appliance, please call our Customer Service Line at 1-800-465-6070. Please **DO NOT** return the product to the place of purchase. Also, please **DO NOT** mail product back to manufacturer, nor bring it to a service center. You may also want to consult the website listed on the cover of this pamphlet.

Warranty Information

(Applies only in the United States and Canada)

What does it cover?

- Any defect in material or workmanship provided; however, Spectrum Brands' liability will not exceed the purchase price of product.

For how long?

- Two years from the date of original purchase with proof of such purchase.

What will we do to help you?

- Provide you with a reasonably similar replacement product that is either new or factory refurbished.

How do you get service?

- Save your receipt as proof of date of sale.
- Visit the online service website at www.prodprotect.com/blackanddecker, or call toll-free **1-800-465-6070**, for general warranty service.
- If you need parts or accessories, please call **1-800-738-0245**.

How does state law relate to this warranty?

- This warranty gives you specific legal rights. You may also have other rights that vary from state to state or province to province.

What does your warranty not cover?

- Damage from commercial use
- Damage from misuse, abuse or neglect
- Products that have been modified in any way
- Products used or serviced outside the country of purchase
- Glass parts and other accessory items that are packed with the unit
- Shipping and handling costs associated with the replacement of the unit
- Consequential or incidental damages (Please note, however, that some states do not allow the exclusion or limitation of consequential or incidental damages, so this limitation may not apply to you.)

Are there additional warranty exclusions?

- **This warranty shall not be valid where it is contrary to U.S. and other applicable laws, or where the warranty would be prohibited under any economic sanctions, export control laws, embargos, or other restrictive trade measures enforced by the United States or other applicable jurisdictions. This includes, without limitation, any warranty claims implicating parties from, or otherwise located in, Cuba, Iran, North Korea, Syria and the disputed Crimea region.**

At the end of this product's life, you can mail it to Spectrum Brands at 507 Stokely Drive, Deforest, WI 53532 marked "Product Takeback: Please Recycle!"

Veillez lire et conserver ce guide d'entretien et d'utilisation.

IMPORTANTES CONSIGNES DE SÉCURITÉ

Afin de réduire le risque d'incendie, de choc électrique et de blessure, des mesures de sécurité élémentaires, dont les suivantes, s'imposent lors de l'utilisation d'appareils électriques :

- Lire toutes les directives.
- Ne pas toucher aux surfaces chaudes; utiliser les poignées et les boutons.
- Afin d'éviter les risques de choc électrique, ne pas immerger le cordon, la fiche ou l'appareil dans l'eau ou tout autre liquide.
- Exercer une étroite surveillance lorsque l'appareil est utilisé par un enfant ou près d'un enfant.
- Débrancher l'appareil lorsqu'il ne sert pas ou avant de le nettoyer. Laisser l'appareil refroidir avant d'y placer ou d'en retirer des composantes.
- Ne pas faire fonctionner un appareil dont le cordon ou la fiche est endommagé, s'il fonctionne mal ou s'il a été endommagé de quelque manière que ce soit. Communiquer avec le service à la clientèle au numéro sans frais indiqué dans la section Garantie.
- L'utilisation d'accessoires non recommandés par le fabricant de l'appareil peut occasionner des blessures.
- Ne pas utiliser l'appareil à l'extérieur.
- Ne pas laisser pendre le cordon sur le bord d'une table ou d'un comptoir ni le laisser entrer en contact avec une surface chaude.
- Ne pas placer l'appareil sur le dessus ou près d'un élément chauffant électrique ou à gaz ni dans un four chaud.
- Faire preuve d'une grande prudence au moment de déplacer un appareil qui contient de l'huile chaude ou d'autres liquides chauds.
- Pour débrancher l'appareil, tourner les boutons de la minuterie et de degré de grillage en position d'arrêt **O** (OFF), et retirer la fiche de la prise.
- Utiliser l'appareil uniquement aux fins pour lesquelles il a été conçu.
- Faire preuve d'une grande prudence au moment de retirer le plateau ou d'éliminer la graisse chaude.
- Ne pas nettoyer avec un tampon à récurer. Des morceaux pourraient se détacher du tampon et toucher les parties électriques, entraînant un risque de choc électrique.
- Ne pas tenter de nettoyer les éléments chauffants.
- Ne pas introduire dans le four grille-pain des aliments trop volumineux ni des ustensiles, car ils pourraient provoquer un incendie ou un choc électrique.
- Il y a un risque d'incendie lorsque le four grille-pain est recouvert de matériaux inflammables, comme des rideaux, des draperies ou des revêtements muraux, ou lorsqu'il entre en contact avec ceux-ci pendant qu'il fonctionne. Ne rien déposer sur l'appareil pendant qu'il fonctionne.
- Faire preuve d'une grande prudence lors de l'utilisation de contenants autres qu'en métal ou en verre.
- Ne pas ranger d'articles, autres que les accessoires recommandés par le fabricant, dans le four lorsqu'il n'est pas en fonction.
- Ne pas mettre dans le four : papier, carton, plastique et autres matériaux de même type.
- Ne pas recouvrir de papier d'aluminium le ramasse-miettes ou une quelconque autre partie du four. Cela causerait une surchauffe du four.

- Cet appareil n'est pas conçu pour être utilisé par des personnes (notamment des enfants) dont les capacités physiques, sensorielles ou mentales sont réduites ou qui manquent d'expérience ou de connaissances, à moins qu'elles ne soient supervisées ou dirigées par une personne responsable de leur sécurité pendant l'utilisation.
- Les enfants doivent être supervisés afin d'éviter qu'ils ne jouent avec l'appareil.
- L'appareil n'est pas destiné à être actionné au moyen d'une minuterie externe ou un système de commande à distance séparé.
- Ne pas laisser l'appareil sans surveillance pendant qu'il est en marche. Les aliments pourraient prendre en feu. Si cela se produit, débrancher l'appareil mais NE PAS ouvrir la porte. Pour réduire le risque d'incendie, garder l'intérieur du four parfaitement propre et exempt de résidus alimentaires, d'huile, de graisse et d'autres corps combustibles.

CONSERVER CES MESURES.

Cet appareil est conçu pour un usage domestique seulement.

FICHE MISE À LA TERRE

Par mesure de sécurité, le produit comporte une fiche mise à la terre qui n'entre que dans une prise à trois trous. Il ne faut pas neutraliser ce dispositif de sécurité. La mauvaise connexion du conducteur de terre présente des risques de secousses électriques. Communiquer avec un électricien certifié lorsqu'on se demande si la prise est bien mise à la terre.

VIS INDESSERRABLE

Avvertissement : L'appareil est doté d'une vis indesserrable empêchant l'enlèvement du couvercle extérieur. Pour réduire les risques d'incendie ou de secousses électriques, ne pas tenter de retirer le couvercle extérieur. L'utilisateur ne peut pas remplacer les pièces de l'appareil. En confier la réparation seulement au personnel des centres de service autorisés.

CORDON D'ALIMENTATION

- a) Un cordon d'alimentation court est fourni pour éviter qu'un cordon long s'emmêle ou fasse trébucher.
- b) Des rallonges électriques sont disponibles et peuvent être utilisées avec prudence.
- c) En cas d'utilisation d'une rallonge :
 - 1) Le calibre indiqué de la rallonge doit être au moins aussi élevé que celui de l'appareil,
 - 2) si l'appareil est mis à la terre, la rallonge doit être de type mise à la terre avec 3 broches; et
 - 3) le cordon électrique doit être disposé de façon à ce qu'il ne pende pas du comptoir ou de la table, qu'il ne soit pas à la portée des enfants et qu'il ne fasse pas trébucher.

Remarque : Si le cordon d'alimentation est endommagé, veuillez communiquer avec notre service à la clientèle dont le numéro figure dans les présentes instructions.



ATTENTION

LE FOUR DEVIENT CHAUD LORSQU'IL EST EN MARCHE. TOUJOURS UTILISER DES MITAINES OU DES POIGNÉES DE FOUR POUR TOUCHER LES SURFACES EXTÉRIEURES OU INTÉRIEURES DU FOUR.

COUP D'ŒIL SUR LE FOUR GRILLE-PAIN À CONVECTION



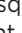
- + 1. Panier de cuisson grillagé (pièce no TO3215-01)
- + 2. Grille (pièce n° TO3250-06)
- + 3. Lèchefrite/plateau d'égouttage (pièce no TO3250-05)
- 4. Porte en verre
- 5. Témoin de fonctionnement
- 6. Sélecteur de température/fonction de cuisson
- 7. Minuterie
- 8. Sélecteur de degré de rôtissage
- + 9. Ramasse-miettes* (pièce no TO3217-01)

* Consulter la section Pour démarrer pour savoir où l'installer.

Remarque : † indique une pièce amovible / remplaçable par le consommateur.



Le four grille-pain peut être mis en marche de trois façons différentes :

- en tournant le bouton de la minuterie jusqu'à dépasser la marque de 20 puis en l'amenant à la durée souhaitée;
- en tournant le bouton de la minuterie à la position « stay on » (fonctionnement continu);
- en tournant le sélecteur de degré de rôtissage jusqu'à dépasser le degré de rôtissage moyen  puis en sélectionnant le degré voulu.

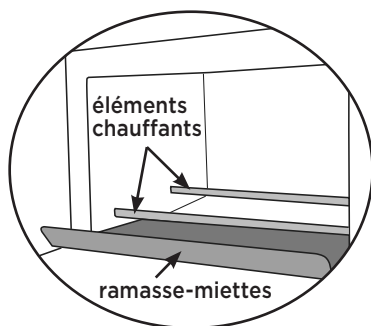
Pour éteindre le four grille-pain, tourner le bouton de la minuterie et le sélecteur de degré de rôtissage à la position .

Le produit peut différer légèrement de l'illustration.

POUR DÉMARRER

Cet appareil est destiné à un usage domestique seulement.

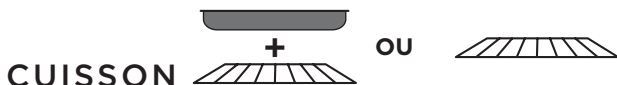
- Retirer tous les matériaux d'emballage, les autocollants ainsi que la bande de plastique entourant la fiche électrique.
- Retirer et conserver la documentation.
- Aller sur www.prodprotect.com/blackanddecker pour enregistrer la garantie.
- Laver toutes les pièces amovibles tel qu'indiqué dans la section Nettoyage et entretien.
- Choisir l'emplacement de l'appareil, en prévoyant suffisamment d'espace entre l'arrière de l'appareil et le mur pour permettre à la chaleur de circuler sans endommager les armoires et les murs. Pendant le fonctionnement, il devrait y avoir au moins 15 cm d'espace libre à l'arrière, sur les côtés et au-dessus de l'appareil.
- Avant d'utiliser l'appareil, s'assurer que le ramasse-miettes est inséré sous les éléments chauffants.



Information importante concernant l'utilisation du four grille-pain

- Cet appareil devient chaud à l'usage. Toujours utiliser des mitaines ou des poignées de four pour toucher les surfaces extérieures ou intérieures du four lorsque celui-ci fonctionne.
- Lors de la première utilisation, il se pourrait que de la fumée ou une légère odeur se dégage du four durant les premières minutes. Ceci est normal.
- S'assurer que ni les aliments ni la lèchefrite ne se trouvent à moins de 3,8 cm des éléments chauffants supérieurs.
- Les aliments ne devraient pas dépasser les bords de la lèchefrite pour éviter que des jus de cuisson ne dégouttent sur les éléments chauffants.
- De nombreux facteurs, dont l'altitude, l'humidité et des variations dans les réseaux électriques, influencent les temps de cuisson. Pour obtenir les meilleurs résultats qui soient, surveiller les aliments vers la fin du temps de cuisson.
- **Plats de cuisson** : il est possible d'utiliser des ustensiles de cuisson en métal, en verre allant au four ou en céramique. Suivre les directives du fabricant. S'assurer que le bord supérieur du plat se trouve à au moins 3,8 cm des éléments chauffants supérieurs.
- La température dans le four sera inférieure au réglage sélectionné. Ceci est dû aux éléments chauffants évolués utilisés dans ce four. Les réglages de température ont été calibrés pour donner les résultats escomptés pour la plupart des recettes en tenant compte des éléments chauffants évolués.
- Pour que le four fonctionne, la minuterie doit être réglée pour une durée déterminée ou le mode de fonctionnement continu (stay on) doit être sélectionné.

- Il est possible de cuire les aliments de trois façons :
 - dans la lèchefrite placée sur la grille coulissante;
 - dans la lèchefrite placée sous la grille coulissante/de grillage;
 - dans le panier de cuisson grillagé.



Remarque : Pour obtenir les meilleurs résultats qui soient lors de la cuisson, préchauffer le four pendant au moins 10 minutes à la température voulue.

Remarque : Ce four grille-pain est conçu pour cuire rapidement. Il est recommandé d'inspecter les aliments avant la fin de la durée de cuisson indiquée pour un four conventionnel afin d'éviter qu'ils ne soient trop cuits.

Ouvrir la porte du four et insérer la grille au centre.

1. Placer les articles à cuire directement sur la grille ou dans la lèchefrite et déposer celle-ci sur la grille.
2. Si les articles sont déposés directement sur la grille, glisser la lèchefrite dans les guides sous la grille pour y ramasser les jus de cuisson qui pourraient dégoutter durant la cuisson.
3. Tourner le sélecteur de température à la température voulue.
4. Tourner le bouton de la minuterie jusqu'à dépasser la marque de 20 puis l'amener à la durée de cuisson voulue. Sinon, tourner le bouton à « stay on » (fonctionnement continu) pour cuire plus longtemps que 60 minutes ou pour surveiller soi-même le temps de cuisson. Le témoin de fonctionnement s'allume et reste allumé durant toute la cuisson.

Remarque : La minuterie doit être réglée pour que le four fonctionne.
5. Une fois le four chaud, ouvrir la porte et y insérer les aliments. Refermer la porte.
6. Si la minuterie a été réglée, un signal sonore se fera entendre lorsque la durée de cuisson sera écoulée. Le four ainsi que le témoin de fonctionnement s'éteindront. Si la minuterie n'a pas été réglée, éteindre manuellement le four une fois la durée de cuisson écoulée.
7. Ouvrir la porte du four. Au moyen de mitaines ou de poignées de four, tirer la grille pour retirer les aliments cuits du four.
8. Débrancher l'appareil lorsqu'il n'est pas utilisé.

CUISSON PAR CONVECTION

La technologie par convection utilise de l'air chaud à haute intensité pour cuire, griller et rendre croustillants vos aliments frits en utilisant très peu d'huile, voire aucune.

À ce mode, le four fonctionne à 425 °F. Utiliser les temps de cuisson indiqués dans le tableau de cuisson à la page 19 ou suivre les indications sur l'emballage des aliments. Ajuster le temps de cuisson au besoin pour que les aliments aient le croquant voulu.

Remarque : Il n'est pas nécessaire de préchauffer le four pour la cuisson par convection.

Remarque : Disposer les aliments en une seule couche dans le panier grillagé pour obtenir les meilleurs résultats possible. Si les aliments sont superposés ils risquent de moins bien cuire et de prendre plus de temps à cuire.

1. Déposer les aliments dans le panier de cuisson grillagé. Aucune autre grille ou lèchefrite n'est nécessaire. S'assurer que le ramasse-miettes est bien inséré sous les éléments chauffants.
2. Ouvrir la porte et glisser le panier grillagé contenant les aliments dans les fentes du centre ou du bas.
3. Tourner le sélecteur de température à la position « airfry » (cuisson par convection).
4. Tourner le bouton de la minuterie jusqu'à dépasser la marque de 20 puis l'amener à la durée de cuisson voulue. Sinon, tourner le bouton à « stay on » (fonctionnement continu) pour prolonger la durée de cuisson par convection au-delà de 60 minutes ou pour surveiller soi-même le temps de cuisson. Le témoin de fonctionnement s'allume et reste allumé durant toute la cuisson.

Remarque : Pour que le four fonctionne, la minuterie doit être réglée à une durée précise ou à « stay on » (fonctionnement continu).

5. Si la minuterie a été réglée, un signal sonore se fera entendre lorsque la durée de cuisson par convection sera écoulée. Le four ainsi que le témoin de fonctionnement s'éteindront. Si la minuterie n'a pas été réglée, éteindre manuellement le four une fois la durée de cuisson écoulée.
6. Ouvrir la porte du four. Au moyen de mitaines ou de poignées de four, tirer sur le panier grillagé pour retirer les aliments cuits du four.

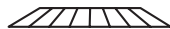
Remarque : Lorsqu'on utilise le mode de cuisson par convection, le ramasse-miettes doit être nettoyé fréquemment.

7. Débrancher l'appareil lorsqu'il n'est pas utilisé.

CUISSON SOUS LE GRIL



OU



Pour obtenir les meilleurs résultats qui soient, placer la grille dans le haut du four. S'assurer que ni les aliments ni la lèchefrite ne se trouvent à moins de 3,8 cm des éléments chauffants supérieurs.

1. Tourner le sélecteur de température à la position « broil » (cuisson sous le gril).
2. Tourner le bouton de la minuterie jusqu'à dépasser la marque de 20 puis l'amener à la durée de grillage voulue. Sinon, tourner le bouton à « stay on » (fonctionnement continu) pour cuire plus longtemps que 60 minutes ou pour surveiller soi-même le temps de cuisson. Le témoin de fonctionnement s'allume et reste allumé durant toute la cuisson.

Remarque : La minuterie doit être réglée pour que le four fonctionne.


3. Une fois le four chaud, ouvrir la porte et y insérer les aliments. Refermer la porte.
4. Si la minuterie a été réglée, un signal sonore se fera entendre lorsque la durée de cuisson sera écoulée. Le four ainsi que le témoin de fonctionnement s'éteindront. Si la minuterie n'a pas été réglée, éteindre manuellement le four une fois la durée de cuisson écoulée.
5. Ouvrir la porte du four. Au moyen de mitaines ou de poignées de four, tirer sur la grille ou sur la lèchefrite pour retirer les aliments cuits du four.
6. Débrancher l'appareil lorsqu'il n'est pas utilisé.

Remarque : Pour obtenir les meilleurs résultats qui soient en faisant griller de la viande, retourner la viande à la mi-temps de la cuisson.

RÔTISSAGE



Il n'est pas nécessaire de préchauffer le four pour le rôtissage.

1. Tourner le sélecteur de température à la position « toast » (rôtissage).
2. Ouvrir la porte du four et insérer la grille dans le bas du four. Le grille-pain peut contenir jusqu'à 6 tranches de pain, étalées en une seule couche.
3. Placer les tranches de pain directement sur la grille coulissante et refermer la porte.
4. Tourner le sélecteur de degré de rôtissage jusqu'à dépasser le degré de rôtissage moyen  puis sélectionner le degré voulu.
5. Le témoin de fonctionnement s'allume et reste allumé durant toute la cuisson du pain.
6. Une fois la cuisson terminée, un signal sonore se fait entendre. Le four grille-pain et le témoin de fonctionnement s'éteignent.
7. Ouvrir la porte du four. Au moyen de mitaines ou de poignées de four, tirer sur la grille pour retirer les toasts du four.
8. Débrancher l'appareil lorsqu'il n'est pas utilisé.

Remarque : Le sélecteur de degré de rôtissage doit être réglé au degré voulu pour que le four se mette en marche.

GARDE AU CHAUD

1. Placer la grille au centre du four.
2. Tourner le sélecteur de température à la position « warm » (garde au chaud).
3. Tourner le bouton de la minuterie à la position « stay on » (fonctionnement continu) ou jusqu'à dépasser la marque de 20 puis l'amener à la durée souhaitée.
4. Ouvrir la porte du four. Au moyen de mitaines ou de poignées de four, tirer sur la grille pour retirer les aliments du four.
5. Débrancher l'appareil lorsqu'il n'est pas utilisé.

NETTOYAGE ET ENTRETIEN

Cet appareil ne contient aucune pièce pouvant être réparée par l'utilisateur. Pour toute réparation, s'adresser à du personnel qualifié.

Important: Avant de nettoyer des pièces, s'assurer que le four est éteint, débranché et froid.

Remarque : Éviter que des résidus alimentaires s'accumulent dans la cavité du four. Ne pas utiliser de nettoyeurs pour les fours en aérosol ou en vaporisateur.

1. Nettoyer la porte en verre avec une éponge, un linge doux ou un tampon en nylon et du savon à vaisselle et de l'eau chaude. Ne pas utiliser de nettoyeur en vaporisateur.
2. Retirer le ramasse-miettes, la grille, le panier de cuisson grillagé et la lèchefrite et les laver dans de l'eau chaude avec du savon à vaisselle. Pour détacher les résidus tenaces, utiliser un tampon en polyester ou en nylon.

Remarque : La grille et le panier de cuisson grillagé sont lavables au lave-vaisselle. Nous recommandons de laver la lèchefrite et le ramasse-miettes à la main dans l'eau chaude avec du savon à vaisselle.

3. Nettoyer l'extérieur du four avec un linge ou une éponge humide. Essuyer complètement.
4. Ne pas tenter de nettoyer les éléments chauffants. Les aliments qui viennent en contact avec les éléments seront carbonisés et disparaîtront.

Pour obtenir de l'assistance, veuillez communiquer avec notre équipe du service à la clientèle au **1-800-465-6070**.

Friture à l'air

ALIMENT	TEMPS DE CUISSON*
Aliments surgelés	
Pépites de poulet	13 à 16 min. ou jusqu'à ce qu'elles soient dorées et croustillantes.
Languettes de poulet	25 à 28 min. ou jusqu'à ce qu'elles soient dorées et croustillantes.
Bâtonnets de poisson	10 à 12 min. ou jusqu'à ce qu'ils soient dorés et croustillants.
Rondelles d'oignon frites	10 à 12 min. ou jusqu'à ce que la panure soit croustillante.
Champignons panés	16 à 20 min. ou jusqu'à ce que la panure soit croustillante.
Bâtonnets de mozzarella frits	10 à 12 min. ou jusqu'à ce que la panure soit croustillante.
Bouchées de jalapeño frites	14 à 16 min. ou jusqu'à ce que la panure soit croustillante.
Saucisses sur bâtonnet	23 à 25 min. si elles sont congelées. Retourner à mi-temps de la cuisson.
Pelures de pommes de terre	13 à 15 min. ou jusqu'à ce qu'elles soient chaudes et que le fromage soit fondu.
Frites droites ou ondulées	18 à 24 min. ou jusqu'à ce qu'elles soient bien dorées.
Frites épaisses	20 à 25 min. ou jusqu'à ce qu'elles soient bien dorées.
Frites allumettes	14 à 18 min. ou jusqu'à ce qu'elles soient bien dorées.
Pépites de pommes de terre assaisonnées	20 à 25 min. ou jusqu'à ce qu'elles soient bien dorées.
Brocoli (surgelé)	18 à 20 min. Vaporiser les fleurons avec un peu d'enduit à cuisson. Assaisonner de sel et de poivre.
Chou-fleur (surgelé)	18 à 20 min. Vaporiser les fleurons avec un peu d'enduit à cuisson. Assaisonner de sel et de poivre.
Légumes frais	
Quartiers de pommes de terre/frites	20 à 25 min. ou jusqu'à ce qu'ils soient bien dorés.
Brocoli	10 min. Enrober les fleurons dans 1 à 2 c. à table d'huile. Assaisonner de sel et de poivre.
Chou-fleur	15 à 17 min. Enrober les fleurons dans 1 à 2 c. à table d'huile. Assaisonner de sel et de poivre.
Volaille	
Ailes de poulet (décongelées/fraîches)	20 à 25 min. ou jusqu'à ce que la température interne atteigne 165 °F / 75 °C.
Pilons de poulet (décongelés/frais)	20 à 30 min. ou jusqu'à ce que la température interne atteigne 165 °F / 75 °C.

*Pour tous les aliments, consulter la durée de cuisson recommandée par le fabricant.
Remarque : Ne pas cuire par convection des viandes crues congelées (p. ex. burgers, steaks).

INFORMATION SUR LA GARANTIE ET LE SERVICE À LA CLIENTÈLE

Garantie limitée de deux ans

(Valable seulement au Canada et aux États-Unis)

Pour faire entretenir ou réparer l'appareil, ou pour toute question concernant votre appareil, composer le numéro 1 800 pertinent qui figure dans cette section. Prière de **NE PAS** retourner l'appareil à l'endroit où il a été acheté. De plus, prière de **NE PAS** envoyer l'appareil par la poste au fabricant, ni l'apporter à un centre de service. Vous pouvez aussi consulter le site Web indiqué sur la page couverture du présent guide.

Que couvre la garantie?

- La garantie couvre tout défaut de matériaux et de fabrication; toutefois, la responsabilité de Spectrum Brands Inc. ne dépassera pas le prix d'achat du produit.

Quelle est la période de garantie?

- Deux ans à compter de la date d'achat originale, preuve d'achat à l'appui.

Quelle aide offrons nous?

- Remplacement par un produit raisonnablement semblable nouveau ou réusiné.

Que ferons-nous pour vous aider?

- Conserver votre reçu comme preuve d'achat.
- Visiter notre site Web de service en ligne au www.prodprotect.com/blackanddecker, ou appeler à notre numéro sans frais, **1 800 465-6070**, pour obtenir du service général sous garantie.
- Si vous avez besoin de pièces ou d'accessoires, veuillez appeler au **1 800 738-0245**.

Que stipule la législation d'État relativement à cette garantie?

- Cette garantie vous confère des droits spécifiques. Vous pourriez aussi avoir d'autres droits, qui peuvent varier selon l'État et la province.

Qu'est-ce qui n'est pas couvert par la garantie?

- Les dommages attribuables à l'usage commercial.
- Les dommages attribuables à une mauvaise utilisation, à l'abus ou à la négligence.
- Les appareils qui ont été modifiés de quelque façon que ce soit.
- Les produits utilisés ou réparés à l'extérieur du pays d'achat.
- Les pièces en verre et les accessoires qui sont emballés avec l'appareil.
- Les coûts de manutention et d'expédition liés au remplacement de l'appareil.
- Les dommages indirects ou accessoires (il est toutefois à noter que certains États interdisent l'exclusion ou la limitation des dommages indirects ou accessoires, de sorte que cette restriction pourrait ne pas s'appliquer à vous).

Existe-t-il d'autres exclusions à la garantie?

- **La présente garantie n'est pas valable si elle contrevient aux lois en vigueur aux États-Unis ou autres lois applicables ailleurs, ou là où elle serait interdite en raison de sanctions économiques, de lois sur le contrôle des exportations, d'embargos ou d'autres mesures de restriction du commerce imposées par les États-Unis ou d'autres juridictions applicables. Ceci comprend, notamment, toutes réclamations au titre de la garantie impliquant des parties situées à Cuba, en Iran, en Corée du Nord, en Syrie et ailleurs dans la région contestée de la Crimée, ou provenant de ces endroits.**

À la fin de la durée utile de ce produit, vous pouvez le poster à Spectrum Brands au 507 Stokely Drive, Deforest, WI 53532 en indiquant sur la boîte « Product Takeback: Please Recycle! »

© 2020 The Black & Decker Corporation and Spectrum Brands, Inc., Middleton, WI 53562

28258

E/F

1500W 120V~ 60Hz

T22-9002123-A