

FARBERWARE[®] MILLENNIUM[®]



USE & CARE INSTRUCTIONS AUTOMATIC COFFEE GRINDER

MODEL NO FGC600B

IMPORTANT SAFEGUARDS

When using electrical appliances, basic safety precautions should always be followed, including the following:

1. **READ ALL INSTRUCTIONS BEFORE USING.**
2. To protect against risk of electrical shock, **DO NOT IMMERSE GRINDER IN WATER OR OTHER LIQUID.**
3. Close supervision is necessary when any appliance is used by or near children.
4. Unplug from outlet when not in use, before putting on or taking off parts and before cleaning.
5. Avoid contacting moving parts.
6. **DO NOT** operate any appliance with a damaged cord or plug or after the appliance malfunctions or is dropped or damaged in any manner. Return appliance to the nearest **FARBERWARE®** authorized service facility for examination, repair or electrical or mechanical adjustment.
7. The use of attachments not recommended by **FARBERWARE®** may cause fire, electric shock or injuries.
8. **DO not** use outdoors.
9. Do not let cord hang over edge of table or counter, or touch hot surfaces.
10. To reduce the risk of severe injury to persons or damage to the appliance, keep hands and utensils out of the Grinding Bowl while grinding, and when appliance is plugged in.
11. Blade is sharp; handle carefully.
12. Before using, check the Grinding Bowl for presence of foreign objects.
13. Always operate Grinder with Cover in place.
14. Do not place on or near a hot gas or electric burner or in a heated oven.
15. **DO NOT PLACE IN DISHWASHER.**

FOR HOUSEHOLD USE ONLY

SAVE THESE INSTRUCTIONS

SHORT CORD INSTRUCTIONS

A short power-supply cord is provided to reduce the risk resulting from becoming entangled in or tripping over a longer cord.

Longer detachable power-supply cords or extension cords are available and may be used if care is exercised in their use.

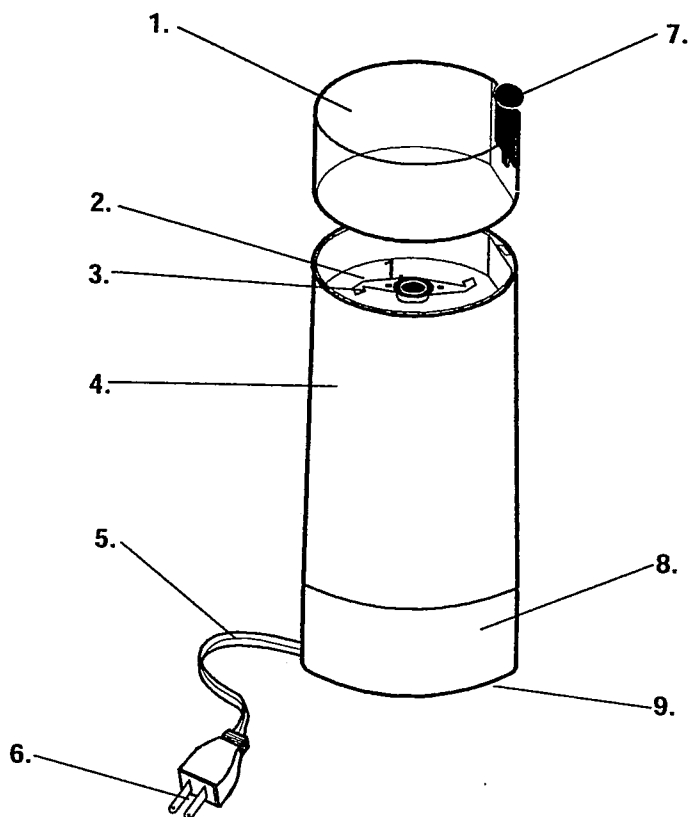
If a longer detachable power-supply cord or extension cord is used, (1) the marked electrical rating of the extension cord should be at least as great as the electrical rating of the appliance, and (2) the longer cord should be arranged so that it will not drape over the counter top or table top where it can be pulled on by children or tripped over unintentionally.

POLARIZED PLUG

This appliance has a polarized plug (one blade is wider than the other). As a safety feature, this plug fits into a polarized outlet only one way. If the plug does not fit fully in the outlet, reverse the plug and try again. If it still does not fit, contact a qualified electrician. Do not attempt to defeat this safety feature.

Your Grinder is for HOUSEHOLD USE ONLY. Place on a level surface, insert plug into any 120V AC electrical outlet. Do not use in any other type of outlet.

GETTING TO KNOW YOUR FARBERWARE® AUTOMATIC COFFEE GRINDER



- 1. Cover
- 2. Grinding Bowl
- 3. Blade
- 4. Motor Housing
- 5. Power Supply Cord

- 6. Polarized Plug
- 7. Pressure-Activated Switch
- 8. Base
- 9. Cord Storage Feet on
Bottom of Base

USING YOUR GRINDER

IMPORTANT: To ensure continued efficient performance, keep the Blade clean. When using, **DO NOT** operate for more than one minute at a time.

BEFORE USING YOUR GRINDER

1. Carefully unpack Grinder.
2. Wipe with a soft cloth or sponge to remove small particles collected during packing and handling.
3. Carefully place Cover on Grinder.
4. Plug Grinder into electrical outlet, and depress the Pressure-Activated Switch to make sure it is operating properly.

HOW TO USE YOUR GRINDER

1. Remove Cover, making sure the Grinder is empty and clean.
2. Place coffee or other foods (not to exceed 2/3 cup (approximately 60 grams) at a time) into the Stainless Steel Bowl.
3. Place the Cover on the Grinder, making sure it is securely in position.
4. Plug in the Grinder.
5. Hold the Grinder with one hand and, making sure the Cover is securely in position, press down on the Pressure-Activated Switch with your finger. **DO NOT OPERATE WITHOUT THE COVER IN PLACE.** If you should release the pressure from the Switch on the Grinder, it will automatically stop.
6. When food has reached the desired grind, release the Switch. **DO NOT REMOVE THE COVER UNTIL THE BLADES COME TO A COMPLETE STOP.** You may wish to grind a little, then check to see if food is ground to your requirements, then grind more if necessary. If additional grinding is necessary, just repeat the above steps, up to 60 seconds at a time. The Grinder should not be operated for longer than one minute at a time.
7. When the Blades have stopped, unplug the Grinder. Remove the Cover and pour the ground food into a separate container.
8. Clean according to directions.

GRINDING COFFEE BEANS

This Grinder will hold approximately 2/3 cup of coffee beans at a time, which will yield about 15 tablespoons of ground coffee. Grind coffee beans for 20 to 25 seconds for a fine grind, less for a coarser grind.

A fine grind exposes more surface to the water and a more rapid extraction of flavor, while a coarser grind exposes less surface to the water and is appropriate for the slower brewing process of percolators. Experimenting will help you determine the exact grinding time needed to achieve the ground coffee of your choice. Check your coffee maker instructions for the type of grind that is best.

If you are brewing a large pot of coffee, you may need to grind about two batches. For the freshest coffee, use only fresh coffee beans and grind only the amount that you will need.

Coffee beans will remain fresh for up to two months. Store coffee beans in an airtight container inside the freezer. (Coffee beans can be ground while still frozen.)

NOTE: If you intend to use this Grinder to grind coffee, plus herbs, spices and/or nuts, you may want to purchase a separate Grinder for grinding herbs, spices and nuts. This way, the coffee flavor will not be affected by the aroma of herbs, spices or nuts.

GRINDING HERBS, SPICES AND NUTS

This Grinder is also suitable for grinding herbs, spices and nuts; these are more flavorful when freshly ground. Certain herbs and spices can be combined and ground to achieve a distinct flavor.

Peppercorns, when freshly ground, taste totally different from canned or ground pepper.

In 5-10 seconds, the Grinder will also produce finely ground nuts. For coarser nuts, use short bursts of grinding.

CAUTION: This Grinder will grind most dry or brittle substances, but it WILL NOT grind anything which is moist, gummy or extremely hard (chocolate, whole nutmeg, candied ginger, etc.) or make pastes from seeds such as sunflower or sesame.

Do not use to grind hard, oily spices such as cinnamon, cloves and nutmeg or to grind grains such as corn, wheat, rice, barley or rye. These substances may cause damage to your unit. Chopping, mincing or puréeing of soft foods is also not recommended.

CARE AND MAINTENANCE OF YOUR GRINDER

USER MAINTENANCE INSTRUCTIONS

This appliance contains no user serviceable parts. Do not try to repair it yourself. Refer it to qualified service personnel if servicing is needed, or return it to the manufacturer. See warranty for details.

Always unplug the Grinder from the electrical outlet when not in use and before cleaning. NEVER immerse Base, Motor Housing, cord or plug in water or any other liquid.

CLEANING INSTRUCTIONS

Grinder should be kept clean to avoid food contamination.

Cleaning the Grinder is easy. Unplug from electrical outlet and remove the Cover. Wash Cover in warm, soapy water. Rinse and dry thoroughly. Wipe all other parts with a soft, slightly damp cloth or sponge. To further clean the Grinding Bowl and Blade, you can grind one tablespoon of baking soda and then clean these parts.

Exercise caution when cleaning; Blade is sharp and can cause injury.

CAUTION: DO NOT use scouring pads or any type of harsh cleanser that may damage the surfaces or dull the Blade.

STORING INSTRUCTIONS

Unplug the unit from the wall outlet and clean all parts. Be sure all parts are dry before storing. Store appliance in its box or in a clean, dry place. Never store it while it is still plugged in. Never wrap cord tightly around the appliance; keep it loosely coiled or wound around cord storage reel on bottom of Base.

FARBERWARE®

ONE-YEAR LIMITED WARRANTY

This FARBERWARE® product warranty extends to the original consumer purchaser of the product.

Warranty Duration: This product is warranted to the original consumer purchaser for a period of one (1) year from the original purchase date.

Warranty Coverage: This product is warranted against defective materials or workmanship. This warranty is void if the product has been damaged by accident, in shipment, unreasonable use, misuse, neglect, improper service, commercial use, repairs by unauthorized personnel or other causes not arising out of defects in materials or workmanship. This warranty is effective only if the product is purchased and operated in the USA, and does not extend to any units which have been used in violation of written instructions furnished, or to units which have been altered or modified or to damage to products or parts thereof which have had the serial number removed, altered, defaced or rendered illegible.

Warranty Disclaimers: This warranty is in lieu of all warranties expressed or implied and no representative or person is authorized to assume any other liability in connection with the sale of our products. There shall be no claims for defects or failure of performance or product failure under any theory of tort, contract or commercial law including, but not limited to, negligence, gross negligence, strict liability, breach of warranty and breach of contract.

Warranty Performance: During the above one-year warranty period, a product with a defect will be either repaired or replaced with a comparable model (at Salton, Inc.'s option) when the product is returned. The repaired or replacement product will be in warranty for the balance of the one-year warranty period and an additional one-month period. No charge will be made for such repair or replacement.

Important Notice

If any parts are missing or defective, return this product to the place of purchase or contact our Consumer Service Department for assistance.

Consumer Service

This FARBERWARE® product is distributed by:

Salton, Inc.

708 SOUTH MISSOURI ST.

MACON, MO 63552

E-mail: farberware-electric@saltonusa.com

Any questions or comments can be directed to Salton, Inc.'s address or call the Consumer Service Department:

1-800-233-9054, Monday - Friday, 9 a.m. - 5 p.m. CST

FARBERWARE® is a registered trademark of Farberware Inc.®

Manufactured and sold pursuant to a license from Farberware Inc.®

Printed in China