

Please Read and Save this Use and Care Book

Por favor lea este instructivo antes de usar el producto

Veillez lire et conserver ce guide d'entretien et d'utilisation

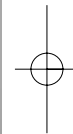


Quick 'N Easy Plus®

Food Processors

Procesador de alimento

Robots culinaires



? USA/Canada
Mexico
www.blackanddecker.com

1-800-231-9786
01-800-714-2503

Models
Modelos
Modèles

FP1445

FP1435

Accessories/Parts (USA/Canada) 1-800-738-0245
Accesorios/Partes (EE.UU./Canadá)
Accessoires/Pièces (É.-U./Canada)

IMPORTANT SAFEGUARDS

When using electrical appliances, basic safety precautions should always be followed, including the following.

- Read all instructions.
- To protect against risk of electrical shock, do not put base, cord, or plug in water or other liquid.
- Close supervision is necessary when any appliance is used by or near children.
- Unplug from outlet when not in use, before putting on or taking off parts, and before cleaning.
- Avoid contacting moving parts.
- Do not operate any appliance with a damaged cord or plug or after the appliance malfunctions or is dropped or damaged in any manner. Return the appliance to the nearest authorized service facility for examination, repair, or electrical or mechanical adjustment. Or, call the appropriate toll-free number listed on the cover of this manual.
- The use of attachments not recommended or sold by the appliance manufacturer may cause fire, electric shock, or injury.
- Do not use outdoors.
- Do not let cord hang over edge of table or counter.
- Keep hands and utensils away from moving blades or discs while processing food to prevent the possibility of severe personal injury or damage to the food processor. A scraper may be used, but it must be used only when the food processor is not running.
- Blades are sharp. Handle carefully.
- To reduce the risk of injury, never place cutting blade or discs on base without first putting bowl properly in place.
- Be certain cover is securely locked in place before operating appliance.
- Never feed food into chute by hand. Always use food pusher.
- Do not attempt to defeat the cover interlock mechanism.
- Do not use appliance for other than intended use.

SAVE THESE INSTRUCTIONS.

POLARIZED PLUG

This appliance has a polarized plug (one blade is wider than the other). To reduce the risk of electric shock, this plug is intended to fit into a polarized outlet only one way. If the plug does not fit fully into the outlet, reverse the plug. If it still does not fit, contact a qualified electrician. Do not attempt to modify the plug in any way.

TAMPER-RESISTANT SCREW

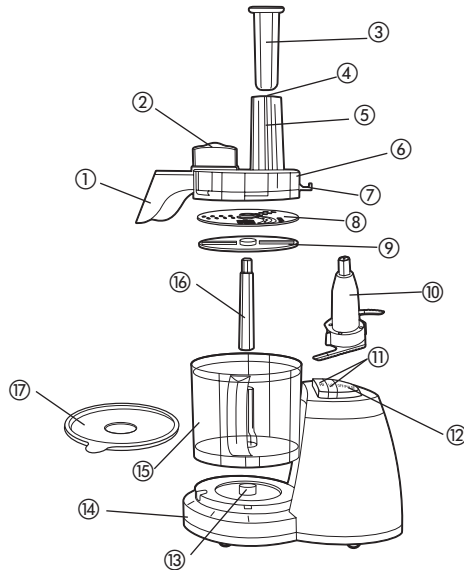
Warning : This appliance is equipped with a tamper-resistant screw to prevent removal of the outer cover. To reduce the risk of fire or electric shock, **do not attempt to remove the outer cover.** There are no user-serviceable parts inside. Repair should be done only by authorized service personnel.

ELECTRICAL CORD

The cord of this appliance was selected to reduce the possibility of tangling in or tripping over a longer cord. If more length is needed, use an extension cord rated no less than 15 amperes. (For 220 volts rated products, use an extension cord rated no less than 6 amperes.) When using an extension cord, do not let it drape over the working area or dangle where someone could accidentally trip over it. Handle cord carefully for longer life; avoid jerking or straining it at outlet and appliance connections.

Note: If the power supply cord is damaged, it should be replaced by qualified personnel or in Latin America by an authorized service center.

Product may vary slightly from what is illustrated.



- † 1. Continuous flow side chute
Models FP1445, FP1435 (Part# FP1445-01)
- † 2. Continuous flow stopper,
Models FP1445, FP1435 (Part# FP1445-02)
- † 3. Food pusher (Part# FP1445-03)
- † 4. Food fingers (Part# FP1445-04)
- 5. Food chute
- † 6. Cover with continuous food chute
Models FP1445, FP1435 (Part# FP1445-05)
- 7. Tab
- † 8. Slice/shred disc (Part# FP1445-10)
- † 9. Continuous flow discharge disc
Models FP1445, FP1435 (Part# FP1445-06)
- † 10. Chopping blade (Part# FP1445-07)
- 11. Hi and Lo speed control
- 12. Off/Pulse control
- 13. Center post
- 14. Base
- † 15. 8-Cup (1920 ml) container (Part# FP1445-08)
- † 16. Disc stem (Part# FP1445-09)
- † 17. Storage lid
Model FP1445 (Part# FP1445-11)
- † Consumer replaceable

How to Use

This product is for household use only.

- Before first use, unpack the product and remove packing material. Handle sharp chopping blade and slice/shred disc carefully.
- Wash all parts except base.

Note: Do not attempt to chop ice in this food processor; it will damage container and dull chopping blade. This unit will not whip cream, beat egg whites to a desirable volume, grind coffee beans or spices with a high oil content, or slice or shred hard-cooked eggs, marshmallows, or soft cheeses.

Note: When shredding hard cheese, dice the cheese into 1/2" cubes and shred no more than 4 oz. at a time.

CONTROLS

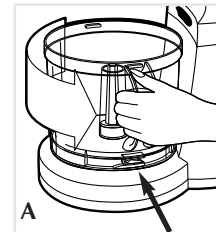
HI or LO — When these buttons are pressed, unit runs continuously until OFF button is pressed.

OFF — Processor should always be left in OFF position when unit is not in use.

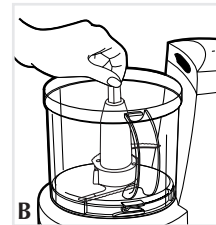
PULSE — PULSE position must be pressed and held for unit to operate. When released, unit will stop. Use PULSE for short processing tasks, such as chopping nuts, raw meats, or vegetables. This lets you check processed results and control the fineness.

Important: For your protection, this unit has an Interlock system. The processor won't operate unless container is properly locked onto base (see illustration on the base). The tab on cover must be correctly locked into the slot on base. Be sure cover is turned fully into slot toward LOCK until you hear it click into place. Do not attempt to operate unit without container and cover correctly locked in place. Be sure base is on a flat, dry, clean surface before you begin processing.

TO SLICE OR SHRED



1. Place container over center post in base with handle at left. Turn container towards base until it drops down into place. Snap container in towards base and be sure the locking tab locks into place (A).
2. To process into a serving/mixing bowl using continuous flow food chute (Models FP1445, FP1435), place disc stem onto center post in container (B) and slip the continuous flow discharge disc onto the stem.



Note: Be sure you have the appropriate side of discharge disc up for leafy or other vegetables. The tabs on the disc should be up for leafy vegetables.

To process directly into included container, place the disc stem onto the center post in the container, then grasp the slice/shred disc by its hub with the (slice or shred) up and push it down onto the disc stem.

3. Place food chute/cover onto container so that its tab is facing down towards base. Twist food chute/cover in toward base to LOCK until you hear it click into place.
4. For models FP1445 and FP1435 make sure food stopper is in place.
5. Plug cord into an electrical outlet.
6. Fill food chute with food and position the pusher over food.

7. Select HI or LO speed, then press down lightly but firmly on food pusher. For pulse control push the PULSE button.

Note: Let processor do the work. Heavy pressure will not speed up operation

8. After processing food, press the control to OFF or release pulse control. Allow disc to stop rotating. Twist food chute/cover toward UNLOCK to remove.

9. Carefully pull slice/shred disc and discharge disc if used, off the stem, remove stem, unlock container by turning it away from its base, and lift container off.

TO USE THE CHOPPING BLADE

1. Place container over center post in base with handle at the left. Turn container towards base until it drops down into place. Snap bowl in towards base and be sure locking tab locks into place **(A)**.

2. Grasp chopping blade by its center shaft and slide it down onto center post **(B)**.

3. Place food chute/cover onto container so that its tab is facing base. Twist food chute/cover in toward base to LOCK until you hear it click into place.

4. Plug cord into an electrical outlet.

5. Place food into container.

6. Press HI, LO or PULSE. When pulsing, hold pulse position for about 2-3 seconds. Check results and repeat for desired consistency. It is better to use several short operations rather than a single long one unless mixing ingredients that require longer processing times.

7. After processing food, press control to OFF or release PULSE button. Allow chopping blade to stop rotating. Twist food chute/cover toward UNLOCK to remove cover.

8. Grasp blade by its shaft and remove. Unlock container by turning it away from its base, and lift it off. Empty the processed food.

FOOD PROCESSING TIPS

Liquids

- Hot liquids (not boiling) and hot foods can be processed in container.
- Be sure to process small amounts of liquids — 3 cups or less at a time. Larger amounts may leak from container.

Meat

- When using the chopping blade for processing meat, cut the meat into 1" (25.4mm) cubes. Do not put more than 10.5 ounces (300g) of meat into the container at a time.

Food Size, Preparation and Loading

- When using different foods in a recipe, process dry ingredients first and moist ingredients later. This reduces the number of times container must be washed and dried.
- You can use the disc in combination with the chopping blade. Just position chopping blade in bowl and press slice/shred disc with desired side (slice or shred) down onto hub of chopping blade. Using the 2 parts together can eliminate having to pre-cut foods into cubes — perfect when shredding and chopping cheese such as parmesan to get a finer grated result.

Clogging in the continuous flow side chute (Models FP1445, FP1435)

Occasionally sliced or shredded food may clog in the side chute. Follow these tips to avoid clogging:

- Be sure the stopper is removed entirely when using continuous flow side chute. It is normal for some pieces to fall into processor container.
- Use a large serving bowl to help catch spatter from side chute and turn bowl as it fills to prevent food buildup in the exit chute.
- Be sure to use correct side of discharge disc — for leafy vegetables (lettuce, cabbage, etc.) use tall tab side up; For slicing and shredding other foods, use short tab side up.
- Clip the food fingers inside the food chute to keep food from tilting and help achieve even slices.
- If clogging does occur, never stick anything up chute to try to dislodge food. Shut off and unplug unit. Then unscrew cover/food chute to clear a blockage.

Care and Cleaning

This product contains no user serviceable parts. Refer service to qualified service personnel.

Note: Do not attempt to sharpen the cutting edges of the blades or discs. They are permanently sharpened at the factory and will be ruined by attempted sharpening.

CLEANING

1. Before cleaning, be sure unit is off and cord is unplugged.
2. Whenever possible, rinse parts immediately after processing for easy cleanup.
3. Wipe base and feet with a damp cloth and dry thoroughly. Stubborn spots can be removed by rubbing with a damp cloth and a mild, non-abrasive cleaner. Do not immerse base in liquid.
4. All removable parts can be washed by hand or in a dishwasher. To remove food fingers, pull up on clip portion.
 - If washing by hand, wash in sudsy water, rinse, and dry thoroughly. If necessary, use a small nylon bristle brush to thoroughly clean container and food chute, continuous flow side chute /cover.
 - If washing in a dishwasher, place removable parts on top rack only — not in or near utensil basket.
 - Some staining of parts may occur. Use a paste of 2 tablespoons baking soda/ 1 tablespoon water. Then apply to stains and let stand overnight. Rinse and dry.
5. Do not use rough scouring pads or cleansers on any plastic or metal parts.
6. Do not allow blades, or discs to soak in water for long periods of time.

Storage

For keeping just processed foods fresh use the included storage lid (model FP1445).

INSTRUCCIONES IMPORTANTES DE SEGURIDAD

Cuando se usan aparatos eléctricos, se debe de tomar ciertas precauciones incluyendo las siguientes:

- Por favor lea todas las instrucciones.
- A fin de protegerse contra el riesgo de un choque eléctrico, no coloque la base, el cable, ni el enchufe en agua ni en ningún otro líquido.
- El uso de todo aparato eléctrico utilizado por o en la presencia de los niños requiere la supervisión de un adulto.
- Desconecte el aparato de la toma de corriente cuando no esté en uso, cuando le quite o le ponga piezas y antes de limpiarlo.
- Evite el contacto con las piezas móviles.
- No utilice ningún aparato eléctrico si el cable o el enchufe están dañados, si el aparato no funciona, si este se ha dejado caer o presenta cualquier daño. Devuelva el producto al centro de servicio autorizado más cercano a fin de que lo examinen, reparen o realicen cualquier ajuste electrónico o mecánico. Puede también llamar al número gratis correspondiente que aparece en la portada de este manual.
- El uso de accesorios no recomendados ni a la venta por el fabricante puede ocasionar incendio, choque eléctrico o lesiones personales.
- No utilice este aparato a la intemperie.
- No permita que el cable cuelgue del borde de la mesa o del mostrador.
- Mantenga las manos y los utensilios alejados de las cuchillas o de los discos en movimiento mientras procesa los alimentos, a fin de prevenir serias lesiones personales o daño al mismo procesador. Uno puede utilizar utensilios siempre que el aparato no se encuentre en funcionamiento.
- Las cuchillas tienen filo y uno debe manejarlas con cuidado.
- A fin de reducir el riesgo de lesiones, nunca coloque la cuchilla de cortar ni los discos sobre la base, sin antes haber instalado bien el recipiente en su lugar.
- Asegúrese que la tapa esté cerrada debidamente antes de utilizar el aparato.
- Nunca introduzca los alimentos adentro del conducto con la mano. Utilice el empujador de alimentos.
- No trate de alterar el mecanismo de entrecierre de la tapa.
- Este aparato se deberá utilizar solamente con el fin previsto.

CONSERVE ESTAS INSTRUCCIONES.

ENCHUFE POLARIZADO

Este aparato cuenta con un enchufe polarizado (un contacto es más ancho que el otro). A fin de reducir el riesgo de un choque eléctrico, este enchufe encaja en una toma de corriente polarizada en un solo sentido. Si el enchufe no entra en la toma de corriente, invírtalo y si aun así no encaja, consulte con un electricista. Por favor no trate de alterar esta medida de seguridad

TORNILLO DE SEGURIDAD

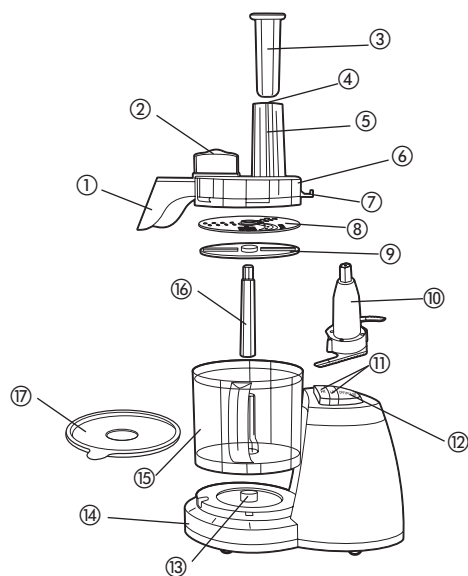
Advertencia: Este aparato cuenta con un tornillo de seguridad para evitar la remoción de la cubierta exterior del mismo. A fin de reducir el riesgo de incendio o de choque eléctrico, **por favor no trate de remover la cubierta exterior**. Este producto no contiene piezas reparables por el consumidor. Toda reparación se debe llevar a cabo únicamente por personal de servicio autorizado.

CABLE ELÉCTRICO

El cable de este aparato fue escogido a fin de evitar el riesgo de enredarse o de tropezar con un cable de mayor longitud. Cualquier cable de extensión que se deba emplear, deberá estar calificado para nada menor de 15 amperios. (Para aquellos productos de 220 voltios, se deberá utilizar un cable de extensión no menor de 6 amperios.) Cuando utilice un cable de extensión, asegúrese que no interfiera con la superficie de trabajo ni que cuelgue de manera que alguien se pueda tropezar. A fin de aumentar la vida útil del cable, no tire de él ni maltrate las uniones del cable con el enchufe ni con el aparato.

Nota: Si el cordón de alimentación es dañado, en América Latina debe sustituirse por personal calificado o por el centro de servicio autorizado. riesgo.

Este producto puede variar ligeramente del que aparece ilustrado.



- † 1. Conducto lateral de flujo continuo
Modelos FP1445, FP1435 (Pieza No. FP1445-01)
- † 2. Bloqueo del flujo continuo
Modelos FP1445, FP1435 (Pieza No. FP1445-02)
- † 3. Empujador de alimentos (Pieza No. FP1445-03)
- † 4. Dedos para guiar los alimentos (Pieza No. FP1445-04)
- † 5. Conducto de alimentos
- † 6. Tapa con conducto de alimentos
Modelos FP1445, FP1435 (Pieza No. FP1445-05)
- 7. Guía
- † 8. Disco de rebanar/desmenuzar (Pieza No. FP1445-10)
- † 9. Disco de descarga de flujo continuo
Modelos FP1445, FP1435 (Pieza No. FP1445-06)
- † 10. Cuchilla de picar (Pieza No. FP1445-07)
- 11. Controles de velocidad alta y baja
- 12. Control de pulsación y de apagado
- 13. Guía central
- 14. Base
- † 15. Recipiente de 1920 ml (8 tazas) (Pieza No. FP1445-08)
- † 16. Vástago del disco (Pieza No. FP1445-09)
- † 17. Tapa para conservar frescos los alimentos
Modelo FP1445 (Pieza No. FP1445-11)
- † Reemplazable por el consumidor

Como usar

Este aparato es solamente para uso doméstico.

- Antes del primer uso, desempaque el producto y retire el material de embalaje. Maneje con cuidado la cuchilla de picar y el disco de rebanar/desmenuzar.
- Lave todas las piezas con excepción de la base.

Nota: No trate de picar hielo en este procesador de alimentos; de lo contrario puede dañar el recipiente y hacer que la cuchilla pierda el filo. Este aparato no es capaz de cremar, de batir las claras de huevo a punto de nieve, de moler café ni especias con alto contenido de aceite, ni de rebanar huevos cocidos, dulces de malvavisco, ni quesos suaves.

Nota: Para procesar quesos duros, córtelos en cubos de 1/2 pulg. y desmenúcelos sin exceder 4 oz. a la vez.

CONTROLES

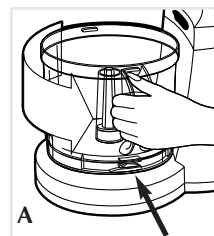
Posición alta (HI) o baja (LO) — Cuando uno presiona estos botones, el aparato funciona continuamente hasta que uno presiona el botón de apagado (OFF).

Botón de apagado (OFF) — El aparato debe de permanecer en la posición OFF siempre que no esté en uso.

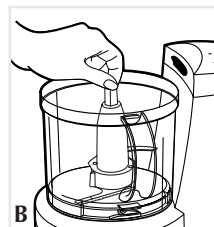
Botón de Pulsación (PULSE) — Uno debe de presionar y sostener este botón para hacer funcionar el aparato. Para interrumpir, simplemente suelte el botón. El control de pulsación se recomienda para las funciones cortas tales como, el picar nueces, carne cruda, o vegetales. Uno puede supervisar y controlar mejor la textura de los alimentos.

Importante: Como medida de protección, este aparato cuenta con un mecanismo de entrecierre. El procesador no funciona a menos que el recipiente esté seguro en la base (consulte la ilustración referente a la base). La guía en la tapa debe de estar colocada debidamente en la ranura de la base. Asegúrese de girar la tapa completamente en la ranura hacia la posición de cierre (LOCK) hasta escuchar un clic. Por favor no trate de utilizar el aparato sin antes haber colocado el recipiente y la tapa debidamente. Antes de utilizar el procesador, asegúrese de colocarlo sobre una superficie plana, seca y limpia.

PARA REBANAR O DESMENUZAR



1. Coloque el recipiente sobre la guía central de la base con el asa hacia la izquierda. Gire el recipiente sobre la base hasta encajar. Presione el recipiente para que entre en la base y asegúrese que la guía de cierre quede ajustada (A).
2. Para procesar los alimentos en un tazón de servir/mezclar con la ayuda del conducto de flujo continuo (Modelos FP1445, FP1435), coloque el vástago del disco en la guía central del recipiente (B) y deslice el disco de descarga de flujo continuo sobre el vástago.



Nota: Uno debe de colocar el disco de descarga hacia arriba para procesar los vegetales de hojas y otros semejantes. Las guías del disco deben de permanecer hacia arriba al procesar los vegetales de hojas. Para procesar los alimentos directamente en el recipiente provisto, coloque el vástago del disco en la guía central del recipiente.

Luego, sujete el disco de rebanar/desmenuzar por el eje, con el costado de (rebanar o desmenuzar) orientado hacia arriba y presione para abajo sobre el vástago del disco.

3. Coloque la tapa/conducto de alimentos sobre el recipiente de manera que la guía permanezca para abajo, orientada hacia la base. Gire la tapa/conducto para adentro hacia la posición de cierre (LOCK) hasta producir un clic y encajar en su lugar.
4. En el caso de los modelos FP1445 y FP1435 asegúrese de que el dispositivo de bloqueo de alimentos esté en su lugar.
5. Enchufe el cable a una toma de corriente.
6. Vierta los alimentos en el conducto y coloque el empujador sobre los alimentos.
7. Ajuste el aparato a la velocidad alta o baja y aplique presión ligera pero firme sobre el empujador. Presione PULSE para el control de pulsación.

Nota: Permita que el procesador realice su función. El aplicar demasiada presión no acelera el funcionamiento del aparato.

8. Después de procesar los alimentos, presione el botón de apagado (OFF) o suelte el control de pulsación. Permita que el disco se detenga por completo. Gire la tapa hacia UNLOCK para retirarla.
9. Retire con cuidado el disco de rebanar/desmenuzar y el disco de descarga, si lo ha utilizado. Retire el vástago y quite el seguro de cierre, girando el recipiente en dirección contraria a la base para alzar y quitar el recipiente.

USO DE LA CUCHILLA DE PICAR

1. Coloque el recipiente en la guía central de la base con el asa hacia la izquierda. Gire el recipiente sobre la base hasta caer en su lugar. Presione el recipiente para adentro hacia la base y asegúrese de que los seguros de cierre enganchen bien (**A**).
2. Sujete la cuchilla por el vástago y deslice sobre la guía central (**B**).
3. Coloque la tapa/conducto de alimentos sobre el recipiente de manera que la guía permanezca para abajo, orientada hacia la base. Gire la tapa/conducto para adentro hacia la posición de cierre (LOCK) hasta producir un clic y encajar en su lugar.
4. Enchufe el cable a una toma de corriente.
5. Coloque los alimentos en el recipiente.
6. Presione HI, LO o PULSE. Cuando use el control de pulsación, presione de 2-3 segundos. Verifique los resultados y repita hasta lograr la consistencia deseada. Resulta mejor realizar varias operaciones cortas en vez de una prolongada a menos que uno esté mezclando ingredientes que requieran ser procesados por más tiempo.
7. Después de procesar los alimentos, presione el botón de apagado (OFF) o suelte el botón de pulsación. Permita que la cuchilla se detenga por completo. Gire la tapa hacia la posición UNLOCK para retirarla.
8. Sujete la cuchilla por el vástago y retírela. Desenganche el recipiente girándolo en dirección contraria a la base para poder alzarlo. Vacíe los alimentos procesados.

CONSEJOS PARA PROCESAR ALIMENTOS

Líquidos

- Uno puede procesar los líquidos calientes (no hirviendo) y los alimentos calientes en el recipiente.
- Asegúrese de procesar los líquidos en pocas cantidades; de 3 tazas o menos a la vez. Las cantidades mayores se podrían derramar.

Preparación de carne

- Cuando utilice la cuchilla de picar para procesar carne, corte la carne en trozos de 25,4 mm (1 pulg). No se debe procesar porciones de carne mayores de 300 g (10,5 oz) a la vez en el recipiente.

Tamaño de los alimentos, preparación e introducción

- Cuando se usan diferentes alimentos para una misma receta, se recomienda procesar los ingredientes secos primero y los húmedos después. Esto reduce la cantidad de veces que se debe lavar y secar el recipiente.
- Uno puede utilizar el disco en combinación con la cuchilla de picar. Simplemente coloque la cuchilla adentro del recipiente y presione el disco de rebanar/desmenuzar con el lado deseado (rebanar o desmenuzar) hacia abajo deslizándolo sobre el vástago de la cuchilla. El uso simultáneo de estas dos piezas elimina el tener que cortar de antemano los alimentos en cubos; perfecto para desmenuzar y picar queso tipo Parmesano cuando uno desea una textura más fina.

Obstrucción en el conducto lateral de flujo continuo (Modelos FP1445 y FP1435)

A veces los alimentos rebanados o desmenuzados pueden obstruir el conducto lateral. A fin de que esto no suceda, por favor siga los siguientes consejos:

- Retire por completo el dispositivo de bloqueo cuando utilice el conducto lateral de flujo continuo. Es normal que cierta cantidad de alimentos caiga adentro del recipiente del procesador.
- Utilice un recipiente grande de servir para recoger los alimentos que salpican del conducto y gírelo a medida se va llenando a fin de prevenir que los alimentos se acumulen adentro del conducto.
- Asegúrese de emplear el lado correcto del disco de descarga. Para los vegetales de hoja (lechuga, repollo, etc.), el costado con la guía alta debe permanecer hacia arriba. Invierta el disco para rebanar y desmenuzar otros alimentos.
- Enganche los dedos provistos adentro del conducto para guiar los alimentos y asegurar rebanadas iguales.
- En el caso de que el conducto se obstruya, no introduzca nada para tratar de destrabarlo. Apague y desconecte el aparato y después desenganche la tapa/conducto o conducto para destrabar los alimentos.

Cuidado y limpieza

Este aparato no contiene piezas reparables por el consumidor. Para servicio, acuda a personal de asistencia calificado.

Nota: No trate de afilar los bordes cortantes de las cuchillas ni de los discos; estos vienen afilados de fábrica y se dañan si uno trata de afilarlos en casa.

LIMPIEZA

1. Antes de limpiar, asegúrese de que el aparato esté apagada y que el cable esté desconectado.
2. Para facilitar la limpieza, cuando sea posible, enjuague las piezas del aparato inmediatamente después de procesar los alimentos.
3. Limpie la base y el inferior con un paño humedecido y séquelos bien. Uno puede eliminar las manchas persistentes, frotando un paño humedecido con un limpiador suave, no abrasivo. No sumerja la base en ningún líquido.
4. Todas las piezas removibles son lavables a mano o en la máquina lavaplatos. Para retirar los dedos metálicos, tire del gancho para arriba.

- Si lava las piezas a mano, utilice agua jabonada, enjuague y seque bien. Si es necesario, uno puede utilizar un cepillo de cerdas de nailon para limpiar bien el recipiente y el conducto de los alimentos y el conducto lateral de flujo continuo / tapa.
 - Si utiliza la máquina lavaplatos, coloque las piezas removibles del aparato en la bandeja superior únicamente; jamás cerca ni adentro del compartimiento de los cubiertos.
 - Es posible que aparezcan manchas en algunas partes del procesador. Aplique una pasta compuesta de 2 cucharadas de bicarbonato con 1 cucharada de agua y permita reposar de un día para otro. Enjuague y seque.
5. No utilice almohadillas de fibras abrasivas ni agentes limpiadores en las partes plásticas o metálicas del aparato.
6. No permita que las cuchillas ni los discos reposen en agua por demasiado tiempo.

Almacenamiento

Para conservar la frescura de lo alimentos recién procesados, utilice la tapa de almacenar provista (modelo FP1445).

IMPORTANTES MISES EN GARDE

Lorsqu'on utilise un appareil électrique, il faut toujours respecter certaines règles de sécurité fondamentales, notamment les suivantes.

- Lire toutes les directives.
- Afin d'éviter les risques de secousses électriques, ne pas immerger le socle, le cordon ni la fiche de l'appareil.
- Exercer une étroite surveillance lorsqu'on utilise l'appareil près d'un enfant ou que ce dernier s'en sert.
- Débrancher l'appareil avant de le nettoyer, d'y enlever ou ajouter un accessoire, et lorsqu'on ne s'en sert pas.
- Éviter de toucher aux pièces en mouvement.
- Ne pas utiliser un appareil dont la fiche ou le cordon est abîmé, qui présente un problème de fonctionnement, qui est tombé par terre ou qui est endommagé. Retourner le produit au centre de service de la région pour qu'il y soit examiné, réparé ou réglé électriquement ou mécaniquement. Ou composer le numéro sans frais approprié indiqué sur la page couverture du présent guide.
- L'utilisation d'accessoires non recommandés ni vendus par le fabricant présente des risques d'incendies, de secousses électriques ou de blessures.
- Ne pas utiliser l'appareil à l'extérieur.
- Ne pas laisser pendre le cordon d'une table ou d'un comptoir .
- Éloigner les mains et les ustensiles des disques ou du couteau en mouvement afin d'éviter les risques de blessures graves ou de dommages importants. On peut utiliser une spatule uniquement lorsque le robot ne fonctionne pas.
- Le couteau et les disques sont très tranchants; il faut donc les manipuler avec précaution.
- Pour éviter les risques de blessures, toujours bien ajuster le bol avant d'installer le couteau le ou le disque sur le socle.
- S'assurer que le couvercle est bien verrouillé en place avant de mettre l'appareil en marche.
- Ne jamais alimenter l'entonnoir à la main. Toujours se servir du poussoir.
- Ne pas tenter de rendre le mécanisme de verrouillage du couvercle inopérant.
- N'utiliser cet appareil que pour les usages prévus.

CONSERVER CES INSTRUCTIONS.

FICHE POLARISÉE

L'appareil est muni d'une fiche polarisée (une lame plus large que l'autre). Afin de minimiser les risques de secousses électriques, ce genre de fiche n'entre que d'une façon dans une prise polarisée. Lorsqu'on ne peut insérer la fiche à fond dans la prise, il faut tenter de le faire après avoir inversé les lames de côté. Si la fiche n'entre toujours pas dans la prise, il faut communiquer avec un électricien certifié. Il ne faut pas tenter de modifier la fiche.

VIS INDESSERRABLE

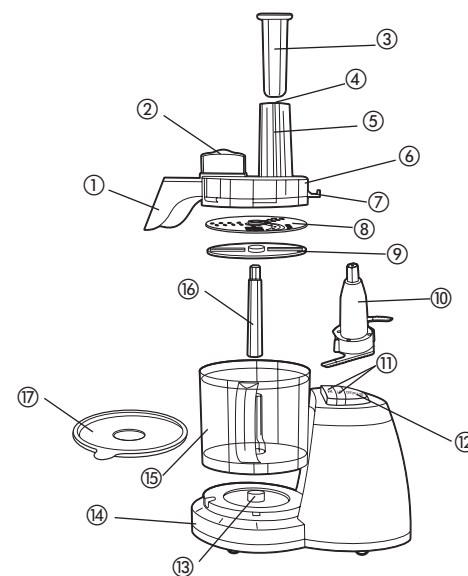
Avertissement : L'appareil est doté d'une vis indesserrable empêchant l'enlèvement du couvercle extérieur. Pour réduire les risques d'incendie ou de secousses électriques, **ne pas tenter de retirer le couvercle extérieur.** L'utilisateur ne peut pas remplacer les pièces de l'appareil. En confier la réparation seulement au personnel des centres de service autorisés.

CORDON

La longueur du cordon de l'appareil a été choisie afin d'éviter les risques d'enchevêtrement et de trébuchement que présente un long cordon. Tout cordon de rallonge d'au moins 15 ampères (ou de 6 ampères, dans le cas des produits de 220 volts), peut servir au besoin. Lorsqu'on utilise un cordon de rallonge, s'assurer qu'il ne traverse pas la surface de travail ni qu'il pend de façon qu'on puisse trébucher dessus par inadvertance. Manipuler le cordon avec soin afin d'en prolonger la durée; éviter de tirer dessus et de le soumettre à des contraintes près des prises ou des connexions de l'appareil.

Note : Lorsque le cordon d'alimentation est endommagé, il faut le faire remplacer par du personnel qualifié ou, en Amérique latine, par le personnel d'un centre de service autorisé.

Le produit peut différer légèrement de celui illustré.



- † 1. Orifice latéral d'alimentation continue, modèles FP1445, FP1435 (pièce n° FP1445-01)
- † 2. Dispositif de blocage de l'alimentation continue, modèles FP1445, FP1435 (pièce n° FP1445-02)
- † 3. Poussoir pour les aliments (pièce n° FP1445-03)
- † 4. Doigts de retenue des aliments (pièce n° FP1445-04)
- 5. Entonnoir
- † 6. Couvercle avec entonnoir, modèles FP1445, FP1435 (pièce n° FP1445-05)
- † 7. Ergot
- † 8. Disque éminceur-déchiporteur (pièce n° FP1445-10)
- † 9. Disque de décharge continue (pièce n° FP1445-06)
- † 10. Couteau (pièce n° FP1445-07)
- 11. Sélecteurs de grande et de basse vitesses
- 12. Interrupteur et commande à impulsion
- 13. Axe d'entraînement
- 14. Socle
- † 15. Récipient de 1 920 ml (8 t) (pièce n° FP1445-08)
- † 16. Tige du disque (pièce n° FP1445-09)
- † 17. Couvercle de rangement modèle FP1445 (pièce n° FP1445-11)
- † Remplaçable par le consommateur

Utilisation

L'appareil est conçu pour une utilisation domestique seulement.

- Avant la première utilisation, déballez le produit et retirez les matériaux d'emballage, manipuler avec soin le couteau et le disque éminceur-déchiqueteur; ils sont extrêmement tranchants.
- Laver toutes les pièces à l'exception du socle.

Note : Il ne faut pas utiliser l'appareil pour concasser des glaçons car cela abîme le récipient tout en émoussant le couteau. Le robot culinaire n'est pas conçu pour fouetter de la crème, monter des blancs d'œufs en neige, moudre le café et les épices à haute teneur en huile, ni pour trancher ou déchiqeter des œufs cuits durs, des guimauves ou des fromages à pâte molle.

Nota : Pour déchiqeter du fromage à pâte dure, d'abord le couper en cubes de 1/2 po (1,25 cm). Ne pas déchiqeter plus de 4 oz (113 g) de fromage à la fois.

COMMANDES

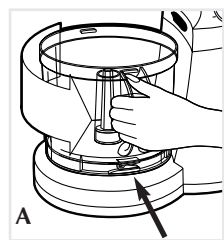
Sélecteurs de grande (HI) et de basse (LO) vitesses — Lorsqu'on enfonce un de ces boutons, l'appareil fonctionne en mode continu jusqu'à ce qu'on enfonce l'interrupteur (OFF).

Interrupteur (OFF) — Le robot devrait toujours se trouver dans cette position lorsqu'il ne sert pas.

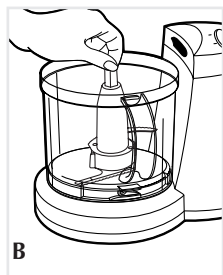
Commande à impulsion (PULSE) — Il faut enfoncez le bouton-poussoir dans cette position (PULSE) et le maintenir enfoncé pour que le robot fonctionne dans ce mode. Lorsqu'on relâche le bouton-poussoir, l'appareil s'arrête. Utiliser cette commande pour les préparations de courte durée comme pour hacher des noix, ainsi que de la viande ou des légumes crus. Cette commande permet à l'utilisateur de vérifier les résultats et de contrôler le genre de préparation voulu.

Important : Dans le but de protéger l'utilisateur, l'appareil est muni d'un dispositif d'asservissement. On ne peut pas utiliser le robot lorsque le récipient n'est pas bien verrouillé dans le socle (voir la figure sur le socle). S'assurer que l'ergot du couvercle est bien verrouillé dans la fente du socle. S'assurer de bien tourner le couvercle à fond dans la fente vers la mention de verrouillage (LOCK) jusqu'à ce qu'on l'entende s'enclencher en place. Ne pas essayer de faire fonctionner l'appareil lorsque le récipient et le couvercle ne sont pas bien en place. S'assurer que le socle repose sur une surface plane, sèche et propre avant d'utiliser l'appareil.

UTILISATION DU DISQUE ÉMINCEUR-DÉCHIQUETEUR



1. Placer le récipient sur l'axe d'entraînement du socle avec la poignée à gauche. Faire tourner le récipient vers le socle jusqu'à ce qu'il glisse en place. Enclencher le récipient dans le socle en s'assurant que les ergots de verrouillage sont en place (A).



2. Pour verser les aliments traités directement dans un récipient de service ou de mélange au moyen de l'orifice d'alimentation continue (modèles FP1445 et FP1435), installer la tige du disque sur l'axe d'entraînement dans le récipient et faire glisser le disque continue de décharge continue sur la tige (B).

Note : Placer le côté approprié du disque de décharge vers le haut lorsqu'on prépare des légumes en feuille ou tout autre légume. Les ergots du disque devraient être vers le haut dans ce cas.

Pour traiter directement dans le récipient fourni, installer la tige du disque sur l'axe d'entraînement dans le récipient, puis saisir le moyeu du disque éminceur-déchiqueteur avec le type de découpage voulu vers le haut et l'enfoncer sur la tige du disque.

3. Placer l'entonnoir ou le couvercle avec entonnoir sur le récipient de sorte que l'ergot soit face au socle. Faire tourner l'entonnoir ou le couvercle avec entonnoir vers la mention LOCK du socle jusqu'à ce qu'il s'enclenche en place.
4. Dans le cas des modèles FP1445et FP1435, s'assurer que le dispositif de blocage de l'alimentation continue est en place.
5. Brancher la fiche.
6. Remplir l'entonnoir et placer le poussoir sur les aliments.
7. Choisir la vitesse basse (LO) ou élevée (HI), puis appuyer légèrement mais fermement sur le poussoir. Pour traiter de manière intermittente, enfoncez le bouton à impulsion (PULSE).

Note : Laisser l'appareil fonctionner. Une pression excessive n'accélère pas le processus.

8. Après avoir traité les aliments, enfoncez l'interrupteur (OFF) ou relâcher la commande à impulsion (PULSE). Attendre l'immobilisation complète du disque. Faire tourner l'entonnoir ou le couvercle avec entonnoir vers la mention UNLOCK du socle afin de pouvoir le retirer.
9. Soulever avec soin le disque éminceur-déchiqueteur et le disque de décharge (le cas échéant) hors de la tige du disque. Enlever la tige. Déverrouiller le récipient en faisant tourner la poignée loin du socle et soulever le récipient pour l'enlever.

UTILISATION DU COUPEAU

1. Placer le récipient sur l'axe d'entraînement du socle avec la poignée à gauche. Faire tourner le récipient vers le socle jusqu'à ce qu'il glisse en place. Enclencher le récipient dans le socle en s'assurant que les ergots de verrouillage sont en place (A).
2. Saisir le couteau et le faire glisser sur l'axe d'entraînement (B).
3. Placer l'entonnoir ou le couvercle avec entonnoir sur le récipient de sorte que l'ergot soit face au socle. Faire tourner l'entonnoir ou le couvercle avec entonnoir vers la mention LOCK du socle jusqu'à ce qu'il s'enclenche en place.
4. Brancher la fiche.
5. Déposer les aliments dans le récipient.

6. Enfoncer la grande (HI) ou la basse (LO) vitesse, ou la commande à impulsion (PULSE). Lorsqu'on se sert de la commande à impulsion, enfoncer la commande pendant 2 à 3 secondes, vérifier les résultats et répéter le cas échéant jusqu'à l'obtention de la consistance voulue. Mieux vaut utiliser de courts cycles de traitement qu'un long cycle, sauf lorsqu'on veut mélanger les aliments.
7. Après avoir traité les aliments, enfoncer l'interrupteur (OFF) ou relâcher la commande à impulsion (PULSE). Attendre l'immobilisation complète du couteau. Faire tourner l'entonnoir ou le couvercle avec entonnoir vers la mention UNLOCK du socle afin de pouvoir le retirer.
8. Saisir la tige du couteau et retirer celui-ci. Déverrouiller le récipient en faisant tourner la poignée loin du socle et soulever le récipient pour l'enlever. Vider le récipient.

TECHNIQUES D'UTILISATION

Liquides

- On peut traiter des liquides et des aliments chauds, mais pas brûlants, dans le récipient.
- Ne pas traiter plus de 720 ml (3 tasses) de liquides à la fois. Sinon, il risque d'y avoir des fuites entre le récipient et le couvercle.

Viande

- Lorsqu'on utilise le couteau pour traiter de la viande, couper la viande en cubes de 25,4 mm (1 po). Déposer un maximum de 300 g (10,5 oz) de viande à la fois dans le récipient.

Taille, préparation et chargement des aliments

- Commencer par traiter les ingrédients secs puis les ingrédients humides lorsque la recette comporte plusieurs types d'aliments. On minimise ainsi le nombre de lavages du récipient.
- Le disque et le couteau peuvent être utilisés en même temps. Il suffit de déposer le couteau dans le bol puis de faire glisser le disque avec la face voulue vers le bas sur le moyeu du couteau. Lorsqu'on utilise les deux pièces simultanément, il peut ne pas être nécessaire de couper les aliments en cubes au préalable; idéal lorsqu'on râpe du fromage (comme du parmesan) pour obtenir une texture très fine.

Blocage de l'orifice latéral d'alimentation continue (modèles FP1445 et FP1435)

Il arrive parfois que des aliments tranchés ou déchiquetés bloquent l'orifice latéral. Faire ce qui suit afin d'éviter le blocage.

- S'assurer que le dispositif de blocage de l'alimentation continue est retiré avant de se servir de l'orifice latéral à d'alimentation continue. Il se peut que certains morceaux tombent dans le récipient du robot.
- Utiliser un grand récipient de service pour ramasser les aliments qui sont éjectés de l'orifice latéral et faire tourner le récipient à mesure qu'il se remplit afin de prévenir les accumulations d'aliments dans l'orifice d'écoulement.
- S'assurer d'utiliser le côté approprié du disque de décharge; pour les légumes en feuille (laitue, chou, entre autres), placer le grand ergot vers le haut; pour trancher et déchiqueter tout autre aliment, placer l'ergot court vers le haut.
- Installer les doigts de retenue des aliments avec dans l'entonnoir pour empêcher les aliments de basculer et obtenir des tranches uniformes.

- En cas de blocage, ne jamais rien insérer dans l'entonnoir pour tenter de débloquer l'aliment. Mettre l'appareil hors tension et le débrancher, puis dévisser le couvercle ou l'entonnoir afin de nettoyer le blocage.

Entretien et nettoyage

L'utilisateur ne peut remplacer aucune pièces de l'appareil. En confier l'entretien à du personnel qualifié.

Note : Éviter d'affûter les lames ou les disques. Ceux-ci ont été affûtés en permanence à l'usine et tout autre affûtage risque de les endommager.

NETTOYAGE

1. Avant de laver l'appareil, s'assurer qu'il est hors circuit et débranché.
2. Dans la mesure du possible, rincer immédiatement les pièces après utilisation afin d'en faciliter le nettoyage.
3. Essuyer le socle et les pattes à l'aide d'un chiffon humide et bien les assécher. On peut enlever les taches tenaces en les frottant avec un chiffon humide et un produit nettoyant doux et non abrasif. Éviter d'immerger le socle.
4. Toutes les pièces amovibles vont au lave-vaisselle ou on peut les laver à la main. Pour retirer les doigts de retenue des aliments, il suffit de tirer sur la portion de ceux-ci qui se pince.
- Lorsqu'on lave les pièces à la main, utiliser de l'eau chaude savonneuse, bien les rincer et les assécher. Au besoin, utiliser une petite brosse à poils souples en nylon pour nettoyer à fond le récipient, l'entonnoir et le couvercle avec orifice latéral d'alimentation continue.
- Au lave-vaisselle, les pièces amovibles se placent sur le plateau supérieur; jamais dans le panier à ustensiles, ni près de ce dernier.
- Certaines pièces peuvent se tacher. Préparer une pâte avec 2 cuillères à table de bicarbonate de soude et 1 cuillère à table d'eau; enduire les taches de cette pâte et laisser agir pendant la nuit. Rincer et assécher.
5. Éviter les tampons à récurer et les produits nettoyants abrasifs sur les pièces en plastique ou en métal.
6. Ne pas laisser tremper longtemps les lames ou les disques.

Rangement

Afin de préserver la fraîcheur des aliments à peine traités, utiliser le couvercle de rangement compris (modèles FP1445 et FP1445C).

NEED HELP?

For service, repair or any questions regarding your appliance, call the appropriate "800" number on the cover of this book. **Do not** return the product to the place of purchase. **Do not** mail the product back to the manufacturer nor bring it to a service center. You may also want to consult the website listed on the cover of this manual.

**One-Year Limited Warranty
(Applies only in the United States and Canada)**

What does it cover?

- Any defect in material or workmanship; provided; however, Applicia's liability will not exceed the purchase price of the product.

For how long?

- One year after the date of original purchase.

What will we do to help you?

- Provide you with a reasonably similar replacement product that is either new or factory refurbished.

How do you get service?

- Save your receipt as proof of the date of sale.
- Check our on-line service site at www.prodprotect.com/applica, or call our toll-free number, 1-800-231-9786, for general warranty service.
- If you need parts or accessories, please call 1-800-738-0245.

What does your warranty not cover?

- Damage from commercial use
- Damage from misuse, abuse or neglect
- Products that have been modified in any way
- Products used or serviced outside the country of purchase
- Glass parts and other accessory items that are packed with the unit
- Shipping and handling costs associated with the replacement of the unit
- Consequential or incidental damages (Please note, however, that some states do not allow the exclusion or limitation of consequential or incidental damages, so this limitation may not apply to you.)

How does state law relate to this warranty?

- This warranty gives you specific legal rights, and you may also have other rights that vary from state to state or province to province.

¿NECESITA AYUDA?

Para servicio, reparaciones o preguntas relacionadas al producto, por favor llame al número del centro de servicio en el país donde usted compró su producto. NO devuelva el producto al fabricante. Llame o lleve el producto a un centro de servicio autorizado.

DOS AÑOS DE GARANTÍA LIMITADA (No aplica en México, Estados Unidos o Canadá)

¿Qué cubre la garantía?

- La garantía cubre cualquier defecto de materiales o de mano de obra. Applica no se responsabiliza por ningún costo que exceda el valor de compra del producto.

¿Por cuánto tiempo es válida la garantía?

- Por dos años a partir de la fecha original de compra.

¿Cómo se puede obtener servicio?

- Conserve el recibo original de compra.
- Por favor llame al número del centro de servicio autorizado.

Esta garantía no cubre:

- Los productos que han sido utilizados en condiciones distintas a las normales
- Los daños ocasionados por el mal uso, el abuso o negligencia.
- Los productos que han sido alterados de alguna manera
- Los daños ocasionados por el uso comercial del producto
- Los productos utilizados o reparados fuera del país original de compra
- Las piezas de vidrio y demás accesorios empacados con el aparato
- Los gastos de tramitación y embarque asociados al reemplazo del producto
- Los daños y perjuicios indirectos o incidentales.

BESOIN D'AIDE?

Pour communiquer avec les services d'entretien ou de réparation, ou pour adresser toute question relative au produit, composer le numéro sans frais approprié indiqué sur la page couverture. **Ne pas** retourner le produit où il a été acheté. **Ne pas** poster le produit au fabricant ni le porter dans un centre de service. On peut également consulter le site web indiqué sur la page couverture.

Garantie limitée de un an (Valable seulement aux États-Unis et au Canada)

Quelle est la couverture?

- Tout défaut de main-d'oeuvre ou de matériau; toutefois, la responsabilité de la société Applica se limite au prix d'achat du produit.

Quelle est la durée?

- Un an après l'achat original.

Quelle aide offrons nous?

- Remplacement par un produit raisonnablement semblable nouveau ou réusiné.

Comment se prévaut-on du service?

- Conserver son reçu de caisse comme preuve de la date d'achat.
- Visiter notre site web au www.prodprotect.com/applica, ou composer sans frais le 1 800 231-9786, pour obtenir des renseignements généraux relatifs à la garantie.
- On peut également communiquer avec le service des pièces et des accessoires au 1 800 738-0245.

Qu'est-ce que la garantie ne couvre pas?

- Des dommages dus à une utilisation commerciale.
- Des dommages causés par une mauvaise utilisation ou de la négligence.
- Des produits qui ont été modifiés.
- Des produits utilisés ou entretenus hors du pays où ils ont été achetés.
- Des pièces en verre et tout autre accessoire emballés avec le produit.
- Les frais de transport et de manutention reliés au remplacement du produit.
- Des dommages indirects (il faut toutefois prendre note que certains états ne permettent pas l'exclusion ni la limitation des dommages indirects).

Quelles lois régissent la garantie?

- Les modalités de la présente garantie donnent des droits légaux spécifiques. L'utilisateur peut également se prévaloir d'autres droits selon l'état ou la province qu'il habite.

Póliza de Garantía **(Válida sólo para México)**

Duración

Applica de México, S. de R. L. de C.V. garantiza este producto por 2 años a partir de la fecha original de compra.

¿Qué cubre esta garantía?

Esta Garantía cubre cualquier defecto que presenten las piezas, componentes y la mano de obra contenidas en este producto.

Requisitos para hacer válida la garantía

Para reclamar su Garantía deberá presentar al Centro de Servicio Autorizado la póliza sellada por el establecimiento en donde adquirió el producto. Si no la tiene, podrá presentar el comprobante de compra original.

¿Donde hago válida la garantía?

Llame sin costo al teléfono 01 800 714 2503, para ubicar el Centro de Servicio Autorizado más cercano a su domicilio en donde usted podrá encontrar partes, componentes, consumibles y accesorios.

Procedimiento para hacer válida la garantía

Acuda al Centro de Servicio Autorizado con el producto con la póliza de Garantía sellada o el comprobante de compra original, ahí se reemplazará cualquier pieza o componente defectuoso sin cargo alguno para el usuario final. Esta Garantía incluye los gastos de transportación que se deriven de su cumplimiento.

Excepciones

Esta Garantía no será válida cuando el producto:

- A) Se hubiese utilizado en condiciones distintas a las normales.
- B) No hubiese sido operado de acuerdo con el instructivo de uso que le acompaña.
- C) Cuando el producto hubiese sido alterado o reparado por personas no autorizadas por Applica de México, S. de R. L. de C.V.

Nota: Si el cordón de alimentación es dañado, este debe ser remplazado por el fabricante o por un Centro de Servicio Autorizado para evitar el riesgo.

Por favor llame al número correspondiente que aparece en la lista a continuación para solicitar que se haga efectiva la garantía y donde Ud. puede solicitar servicio, reparaciones o partes en el país donde el producto fué comprado. También puede consultarnos en el e-mail. "servicio@applicamail.com.mx"

Argentina

Servicio Técnico Central
Attendance
Atención al Cliente
Ave. Monroe 3351
Buenos Aires, Argentina
Tel.: 0810-999-8999

Chile

Servicio Máquinas y
Herramientas Ltda.
Av. Apoquindo No. 4867 -
Las Condes
Santiago, Chile
Tel.: (562) 263-2490

Colombia

PLINARES
Avenida Quito # 88A-09
Bogotá, Colombia
Tel. sin costo 01 800 7001870

Costa Rica

Aplicaciones
Electromecanicas, S.A.
Calle 26 Bis y Ave. 3
San Jose, Costa Rica
Tel.: (506) 257-5716
223-0136

Ecuador

Servicio Master Ecuador
Av. 6 de Diciembre 9276
y Los Alamos
Tel. (593) 2281-3882

El Salvador

Sedebblack
Calle San Antonio Abad 2936
San Salvador, El Salvador
Tel. (503) 2284-8374

Guatemala

MacPartes SA
3ª Calle 414 Zona 9
Frente a Tecun
Tel. (502) 2331-5020
2332-2101

Honduras

ServiTotal
Contigua a Telecentro
Tegucigalpa, Honduras,
Tel. (504) 235-6271

México

Art. 123 y José Ma. Marroquí
#28-D Centro.
Mexico D.F.
Tel.: 01 (800) 714-2503
(55) 1106-1400

Nicaragua

ServiTotal
De semáforo de portezuelo
500 metros al sur.
Managua, Nicaragua,
Tel. (505) 248-7001

Panamá

Servicios Técnicos CAPRI
Tumbamuerto Boulevard El
Dorado
Panamá.
Tel. (507) 2360 236
(507) 2360 159

Perú

Servicio Técnico Central
Fast Service
Calle Jorge Muelle 121
San Borja
Lima Perú
Tel. (0511) 2257391-2230221

Puerto Rico

Buckeye Service
Jesús P. Piñero #1013
Puerto Nuevo, SJ PR 00920
Tel.: (787) 782-6175

Republica Dominicana

Plaza Lama, S.A.
Av. Duarte #94
Santo Domingo,
República Dominicana
Tel.: (809) 687-9171

Trinidad and Tobago

A.S. Bryden & Sons (Trinidad)
Limited
33 Independence Square,
Port of Spain
Trinidad, W.I.
Tel.: (868) 623-4696

Venezuela

Inversiones BDR CA
Av. Casanova C.C. City
Market
Nivel Plaza Local 153,
Diagonal Hotel Melia.
Caracas
Tel. (582) 324 0969

Sello del Distribuidor:

Fecha de compra:

Modelo:

Comercializado por:


Applica de México, S. de R. L. de C.V.
Blvd. Manuel Avila Camacho 2900-902,
Fracc Los Pirules
Tlalnepantla, Edo. de México. C.P. 54040.
R. F. C. AME-001026- PE3.

Servicio y Reparación

Art. 123 y José Ma. Marroquí # 28 D
Col. Centro, Mexico D. F., CP 06050

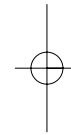
Servicio al Consumidor,

Venta de Refacciones y Accesorios
01 800 714 2503

 **BLACK&DECKER** is a trademark of The Black & Decker Corporation,
Towson, Maryland, USA

Marca registrada de *The Black & Decker Corporation*,
Towson, Maryland, E.U.

Marque de commerce déposée de la société *The Black & Decker Corporation*,
Towson, Maryland, É.-U.



Model 1435	350 W (MAX)	120 V ~	60 Hz
Model 1445	450 W (MAX)	120 V ~	60 Hz

Copyright © 2005 - 2007 Applica Consumer Products, Inc.

Pub. No. 1000001798-00-RV02

Made in People's Republic of China
Printed in People's Republic of China

Importado por:

Applica de México S. de R.L. de C.V.
Blvd. Manuel Avila Camacho 2900-902, Fracc Los Pirules
Tlalnepantla, Edo. de México. C.P. 54040
Teléfono: (55) 1106-1400

Del interior marque sin costo

01 (800) 714-2503

Fabricado en la República Popular de China
Impreso en la República Popular de China

Fabriqué en République populaire de Chine
Imprimé en République populaire de Chine

