

GEORGE FOREMAN®



For online customer service
and to register your product, go to
www.prodprotect.com/applica

Model
Modelo
GFQ001

Please Read and Save this Use and Care Book.

IMPORTANT SAFEGUARDS

When using electrical appliances, basic safety precautions should always be followed, including the following:

- Read all instructions.
- Do not touch hot surfaces. Use handles or knobs.
- To protect against electrical shock do not immerse cord, plugs or appliance in water or other liquid.
- Close supervision is necessary when any appliance is used by or near children.
- Unplug from outlet when not in use and before cleaning. Allow to cool before putting on or taking off parts, and before cleaning the appliance.
- Do not operate any appliance with a damaged cord or plug, or after the appliance malfunctions or has been damaged in any manner. If the power cord is damaged, please call our Customer Service line listed in these instructions.
- The use of accessory attachments not recommended by the appliance manufacturer may cause injuries.
- Do not use outdoors.
- Do not let cord hang over edge of table or counter, or touch hot surfaces.
- Do not place on or near a hot gas or electric burner, or in a heated oven.
- Extreme caution must be used when moving an appliance containing hot oil or other hot liquids.
- To disconnect, remove plug from wall outlet.
- Do not use this appliance for other than intended use.
- The appliance is only to be operated in the closed position.

SAVE THESE INSTRUCTIONS.

This product is for household use only.

POLARIZED PLUG (120V Models Only)

This appliance has a polarized plug (one blade is wider than the other).

To reduce the risk of electric shock, this plug is intended to fit into a polarized outlet only one way. If the plug does not fit fully into the outlet, reverse the plug. If it still does not fit, contact a qualified electrician. Do not attempt to modify the plug in any way.

TAMPER-RESISTANT SCREW

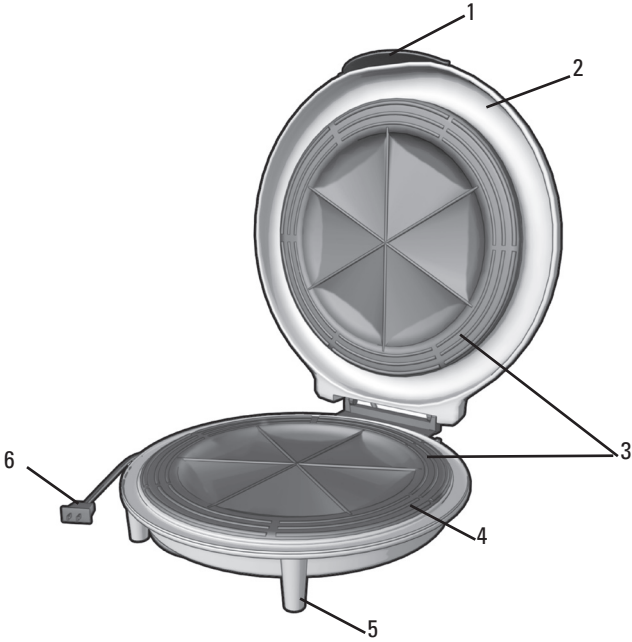
Warning: This appliance is equipped with a tamper-resistant screw to prevent removal of the outer cover. To reduce the risk of fire or electric shock, do not attempt to remove the outer cover. There are no user-serviceable parts inside. Repair should be done only by authorized service personnel.

ELECTRICAL CORD

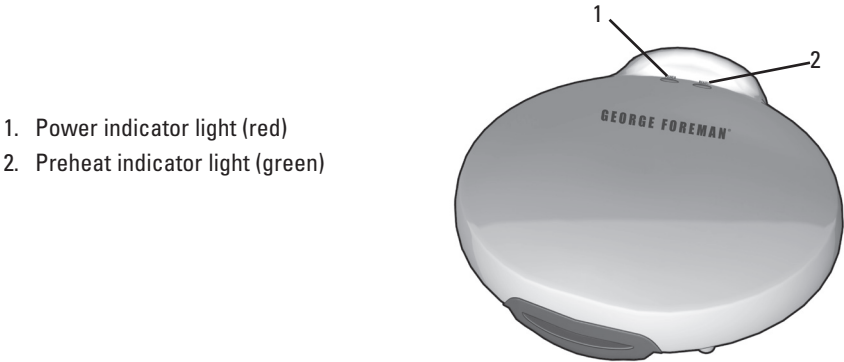
1. A short power-supply cord is provided to reduce the risk resulting from becoming entangled in or tripping over a longer cord.
2. Longer detachable power-supply cords or extension cords are available and may be used if care is exercised in their use.
3. If a long detachable power-supply cord or extension cord is used:
 - a) The marked electrical rating of the power cord or extension cord should be at least as great as the electrical rating of the appliance.
 - b) The longer cord should be arranged so that it will not drape over the countertop or tabletop where it can be pulled on by children or tripped over unintentionally.

Note: If the power cord is damaged, please contact the warranty department listed in these instructions.

Product may vary slightly from what is illustrated.



- 1. Lid latch
- 2. Lid
- 3. Nonstick cooking plates
- 4. Built-in drip reservoir
- 5. Slip-resistant feet
- 6. Power cord



- 1. Power indicator light (red)
- 2. Preheat indicator light (green)

How to Use

This product is for household use only.

GETTING STARTED

- Remove all packing material and any stickers.
- Remove and save literature.
- Please go to www.prodprotect.com/applica to register your warranty.
- Wash all removable parts and/or accessories as instructed in CARE AND CLEANING section of this manual.
- Wipe cooking plates with a damp cloth or sponge to remove any dust. Wipe dry with a soft cloth or paper towels.
- Select dry, level location where unit is to be used, leaving enough space between back of unit and wall to allow heat to flow without damage to cabinets and walls.

USING YOUR QUESADILLA MAKER

Note: Before preheating the quesadilla maker, the cooking plates may be brushed with a small amount of vegetable oil, if desired. This helps to protect the nonstick surface. You may wish to repeat this procedure periodically.

1. Close the lid and plug cord into a standard electrical outlet. Both the red power indicator light and green preheat indicator light will turn on as the unit begins heating.
2. Allow the unit to preheat for approximately 5 minutes. The green preheat indicator light will turn off when the quesadilla maker has reached cooking temperature.

Note: As with any new appliance, you may notice smoke and a slight odor when using your quesadilla maker for the first time, as residues left from manufacturing burn off the cooking plates and heating element. This is normal.

3. Gently raise the lid using a pot holder/oven mitt.

Important: Always grasp lid with a pot holder/oven mitt when raising and lowering.

4. Raise the lid using a pot holder/oven mitt and place prepared quesadilla centered on the bottom cooking plate.
5. Carefully lower the lid using a pot holder/oven mitt and latch shut.

Note: Depending on the amount of food, the latch may not latch completely. DO NOT FORCE SHUT! The unit will still cook properly.

Important: Steam may be released between the cooking plates. Caution should be taken to prevent hands from coming in contact with the steam.

6. Grilling time should be approximately 3 to 4 minutes. Exact grilling time will be a matter of taste and will depend on the type of filling. Do not overcook, since filling may melt and pour out from between the tortillas.
7. The green preheat indicator light will cycle on and off as the unit maintains the ideal cooking temperature; this prevents overheating.
8. After the quesadilla has finished cooking, gently raise the lid using a pot holder/oven mitt and remove quesadilla with a plastic or wooden spatula.

Important: Do not use metal utensils, as they can damage the nonstick coating.

9. Keep the lid closed to preserve the heat until you are ready for the next quesadilla.
10. After use, unplug unit from the electrical outlet and allow to cool to room temperature before cleaning.

HELPFUL TIPS

- Use only 10-inch flour tortillas when making quesadillas with your quesadilla maker.
- Tortillas should be fresh and pliable, not dried out or stiff.
- Only use soft filling ingredients like shredded cheese, salsa, shredded or thinly sliced pieces of cooked meat, poultry or vegetables. Do not use with any foods that have bones or pits, since they could damage the cooking plates.
- Do not overfill your quesadillas, as the filling may leak out into the built-in drip reservoir. Do not fill the tortilla with more than $\frac{1}{4}$ cup shredded cheese and/or $\frac{1}{2}$ cup liquid ingredients like salsa.
- Do not use processed cheese, because it turns into liquid when heated and will leak out.
- For best results, fillings should be spread as evenly as possible, up to $\frac{1}{2}$ -inch from the edge of the tortilla so that the edges can seal together.
- The average grilling time for a quesadilla on the preheated quesadilla maker is approximately 3-4 minutes. Check quesadillas after 3 minutes; they should be slightly crisp and have some light browning.
- Do not force the lid closed, as you may damage the hinge or latch mechanism.

Important: Always gently raise and lower the lid using a pot holder/oven mitt.

- Previously grilled quesadillas can be reheated on the quesadilla maker. Place on preheated appliance, matching up the triangle shape of the quesadilla with that of the cooking plates. Lower the lid and reheat 1 to 2 minutes.

Care and Cleaning

This appliance contains no user-serviceable parts. Refer service to qualified service personnel.

CLEANING

Important: Unplug and allow to cool before cleaning. Never immerse your quesadilla maker in water or any other liquid.

1. Wipe lid, base, and cooking plates with a damp cloth and a non-abrasive soap or dishwashing detergent. Wipe with a clean, soft, damp cloth and towel dry.

STORAGE

- Store cleaned quesadilla maker in a clean, dry place.
- The quesadilla maker may be stored in a vertical position (lid latch pointed up). Latch the cooking plates together, loosely winding the cord around the base of the unit, and stand for vertical storage.

Important: Never store while it is still hot or still plugged in.

Important: Never wrap cord tightly around the appliance. Do not put any stress on cord where it enters unit, as this could cause it to fray and break.

RECIPES

SPEEDY QUESADILLAS

½ cup (4 oz.) finely shredded Cheddar or Monterey Jack cheese

4 (10-inch) flour tortillas

½ cup chunky salsa

¼ cup chopped cilantro

Real dairy sour cream

Guacamole (optional)

Sprinkle half of the cheese on two of the tortillas. Divide and evenly spread the salsa over the cheese. Sprinkle evenly with the cilantro and remaining cheese. Cover with the remaining tortillas.

Place on preheated quesadilla maker, one at a time. Close lid and cook 3 – 4 minutes or until tortilla is lightly browned. Remove from quesadilla maker and cut into triangles.

Serve with additional salsa, sour cream or guacamole, if desired.

Makes 2 quesadillas (12 triangles)

BEAN AND CHEESE QUESADILLAS

1 can (16 oz.) refried beans

¼ cup (2 oz.) shredded Cheddar cheese

1 small onion, minced

3 tsp. minced pickled jalapeño pepper (optional)

6 (10-inch) flour tortillas

Divide and evenly spread refried beans on three of the tortillas, up to ½-inch from the edge. Sprinkle evenly with the Cheddar cheese, minced onion and jalapeño pepper, if desired. Cover with the remaining tortillas.

Place on preheated quesadilla maker, one at a time. Close lid and cook 3 – 4 minutes or until tortilla is lightly browned. Remove from quesadilla maker and cut into triangles.

Serve with fresh salsa or sour cream, if desired.

Makes 3 quesadillas (18 triangles)

HERBED RICOTTA AND RED PEPPER QUESADILLAS

1 cup ricotta cheese

1 jar (4 oz.) chopped roasted red peppers, drained

1 tablespoon minced fresh herbs like: parsley, cilantro, thyme, or basil

1 clove garlic, peeled and minced

¼ tsp. salt

⅛ tsp. black pepper

4 (10-inch) flour tortillas

Combine ricotta, roasted peppers, herbs, garlic, salt and black pepper together in a small mixing bowl.

Divide and evenly spread ricotta filling mixture on two of the tortillas, up to ½-inch from the edge. Cover with the remaining tortillas. Press down gently.

Place on preheated quesadilla maker, one at a time. Close lid and cook 3 – 4 minutes or until tortilla is lightly browned. Remove from quesadilla maker and cut into triangles.

Serve with fresh salsa or sour cream, if desired.

Makes 2 quesadillas (12 triangles)

WILD MUSHROOM QUESADILLAS

2 tbsp. olive oil

1 large onion minced

2 cloves garlic, peeled and minced

1 roasted, canned jalapeño pepper, chopped

½ lb. crimini or white button mushrooms, including stems, coarsely chopped

½ tsp. salt

⅛ tsp. black pepper

½ cup (4 oz.) shredded Swiss or Gouda cheese

4 (10-inch) flour tortillas

Heat olive oil in medium-sized skillet over medium-high heat. Add the onion and garlic and sauté 4 – 6 minutes or until soft. Add the jalapeño pepper and mushrooms. Sauté 5 – 7 minutes or until the mushrooms are soft. Season with salt and black pepper. Drain to remove any remaining cooking liquid.

Evenly sprinkle two tortillas with half of the cheese up to ½-inch from the edge. Evenly spread mushroom filling over cheese. Sprinkle remaining cheese on top of each and cover with remaining tortillas.

Place on preheated quesadilla maker, one at a time. Close lid and cook 3 – 4 minutes or until tortilla is lightly browned. Remove from quesadilla maker and cut into triangles.

Serve with sour cream, if desired.

Makes 2 quesadillas (12 triangles)

PEPPERONI PIZZA POCKETS

½ cup pizza sauce

¼ cup (2 oz.) shredded mozzarella cheese

1 tbsp. grated Parmesan cheese

2 tbsp. minced pepperoni

4 (10-inch) flour tortillas

Combine the pizza sauce, mozzarella, Parmesan and pepperoni in a small mixing bowl.

Divide and evenly spread pizza filling mixture on two of the tortillas, up to ½-inch from the edge. Cover with the remaining tortillas.

Place on preheated quesadilla maker, one at a time. Close lid and cook 3 – 4 minutes or until tortilla is lightly browned. Remove from quesadilla maker and cut into triangles.

Makes 2 quesadillas (12 triangles)

Por favor lea este instructivo antes de usar el producto.

INSTRUCCIONES IMPORTANTES DE SEGURIDAD

Cuando se usan aparatos eléctricos, siempre se deben respetar las siguientes medidas básicas de seguridad:

- Por favor lea todas las instrucciones.
- No toque las superficies calientes. Use las asas o las perillas.
- A fin de protegerse contra un choque eléctrico y lesiones a las personas, no sumerja el cable, los enchufes ni el aparato en agua ni en ningún otro líquido.
- Todo aparato eléctrico usado en la presencia de los niños o por ellos mismos requiere la supervisión de un adulto.
- Desconecte el aparato del tomacorriente cuando no esté en uso y antes de limpiarlo. Espere que el aparato se enfríe antes de instalarle o retirarle piezas y antes de limpiarlo.
- No use ningún aparato eléctrico que tenga el cable o el enchufe averiado, que presente un problema de funcionamiento o que esté dañado. Si el cable de alimentación está dañado, por favor llame al número de Servicios para el Cliente que aparece en estas instrucciones.
- El uso de accesorios no recomendados por el fabricante del aparato puede ocasionar incendio, choque eléctrico o lesiones a las personas.
- No use este aparato a la intemperie.
- No permita que el cable cuelgue del borde de la mesa o del mostrador ni que entre en contacto con superficies calientes.
- No coloque el aparato sobre ni cerca de las hornillas de gas o eléctricas ni adentro de un horno caliente.
- Tome mucha precaución al mover de un lugar a otro un aparato que contenga aceite u otros líquidos calientes.
- Para desconectar, retire el enchufe del tomacorriente.
- Este aparato se debe usar únicamente con el fin previsto.
- Este aparato solo debe dejarse funcionar en posición cerrada.

CONSERVE ESTAS INSTRUCCIONES.

Este aparato eléctrico es para uso doméstico solamente.

ENCHUFE POLARIZADO (Solamente para los modelos de 120V)

Este aparato cuenta con un enchufe polarizado (un contacto es más ancho que el otro). A fin de reducir el riesgo de un choque eléctrico, este enchufe encaja en un tomacorriente polarizado en un solo sentido. Si el enchufe no entra en el tomacorriente, inviértalo y si aun así no encaja, consulte con un electricista. Por favor no trate de alterar esta medida de seguridad.

TORNILLO DE SEGURIDAD

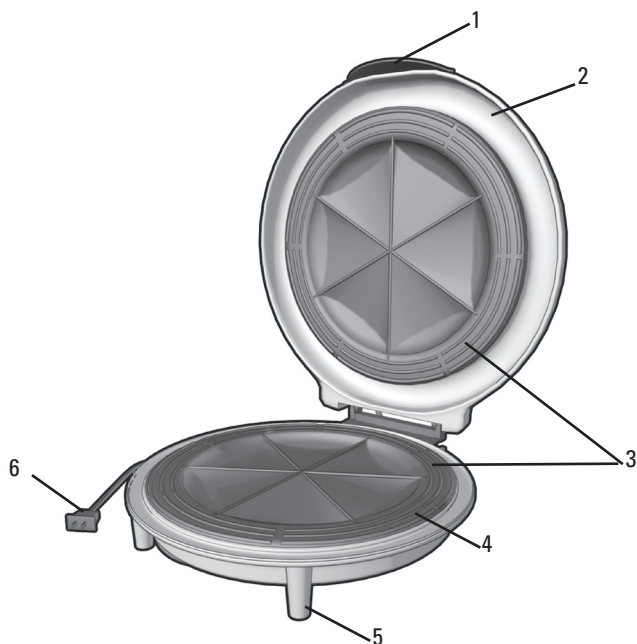
Advertencia: Este aparato cuenta con un tornillo de seguridad para evitar la remoción de la cubierta exterior del mismo. A fin de reducir el riesgo de incendio o de choque eléctrico, por favor no trate de remover la cubierta exterior. Este producto no contiene piezas reparables por el consumidor. Toda reparación se debe llevar a cabo únicamente por personal de servicio autorizado.

CABLE ELÉCTRICO

1. El producto debe proporcionarse con un cable de alimentación corto para reducir el riesgo de enredarse o de tropezar con un cable más largo.
2. Se encuentran disponibles cables separables o de extensión más largos, que pueden ser utilizados si se emplea el cuidado debido.
3. Si se utiliza un cable separable o de extensión más largo:
 - a) La clasificación eléctrica del cable de alimentación o del cable de extensión debe ser por lo menos igual que la clasificación eléctrica del aparato.
 - b) El cable más largo debe acomodarse de modo que no cuelgue del mostrador o de la mesa, para evitar que un niño tire del mismo o que alguien se tropiece sin querer.

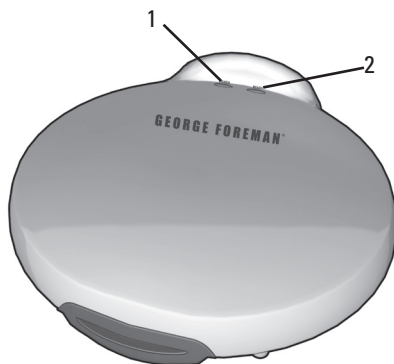
Nota: Si el cable de alimentación está dañado, por favor llame al número del departamento de garantía que aparece en estas instrucciones.

El producto puede variar ligeramente del que aparece ilustrado aquí.



1. Cierre de la tapa
2. Tapa
3. Placas de cocción antiadherentes
4. Reserva para goteo incorporada
5. Pies antideslizantes
6. Cable eléctrico

1. Luz indicadora de funcionamiento (rojo)
2. Luz indicadora de precalentamiento (verde)



Como usar

Este producto es para uso doméstico únicamente.

PRIMEROS PASOS

- Elimine todo el material de embalaje y las etiquetas.
- Retire y conserve el material de lectura.
- Vaya a www.prodprotect.com/applica para registrar su garantía.
- Lave las piezas removibles y/o los accesorios según las instrucciones de CUIDADO Y LIMPIEZA de este manual.
- Desempolve las placas de cocción con un paño humedecido y séquelas bien con un paño suave o con toallas de papel.
- Seleccione el lugar seco, nivelado, donde se utilizará este aparato dejando el espacio suficiente entre la parte de atrás del aparato y la pared para permitir que el calor fluya sin dañar armarios y paredes.

USO DE SU MÁQUINA DE QUESADILLAS

Nota: Antes de precalentar su máquina de quesadillas, si desea, le puede untar un poquito de aceite vegetal a las placas de cocción. Esto ayuda a proteger la superficie antiadherente. Usted puede que desee repetir este procedimiento periódicamente.

1. Cierre la tapa y enchufe el cable a un tomacorriente estándar. Ambas, la luz roja indicadora de funcionamiento y la luz verde indicadora de precalentamiento se encenderán mientras la unidad comienza a precalentar.
2. Permita que la unidad se precaliente durante aproximadamente 5 minutos. La luz verde indicadora de precalentamiento se apagará una vez que la máquina de quesadillas alcance la temperatura de cocción.

Nota: Cómo con cualquier aparato, usted puede notar que su máquina de quesadillas desprende humo y olor al usarla por primera vez, ya que los residuos del proceso de fabricación se derriten al encender las placas de cocción y el elemento calefactor. Esto es normal.

3. Cuidadosamente levante la tapa usando un guante de hornear o una agarradera.

Importante: Al levantar o cerrar la tapa, siempre agárrela con un guante de hornear o una agarradera.

4. Levante la tapa usando un guante de hornear o una agarradera y coloque la quesadilla ya preparada de forma que quede centrada sobre la placa de cocción inferior.
5. Cuidadosamente baje la tapa utilizando una agarradera/guante de hornear y ciérrela.

Nota: Dependiendo de la cantidad de comida, puede que la tapa no cierre completamente ¡NO FUERCE EL CIERRE! Aun así, la unidad cocinará los alimentos de forma adecuada.

Importante: Las placas de cocción pueden despedir vapor. Debe tomar precaución para prevenir que las manos entren en contacto con el vapor.

6. El tiempo de asar debe ser aproximadamente de 3 a 4 minutos. El tiempo exacto de asar depende de su gusto y el tipo de relleno que use. No cocine las quesadillas demasiado ya que el relleno se puede derretir y salirse de las tortillas.

7. La luz verde de precalentamiento se prenderá y apagará cíclicamente mientras la unidad mantiene la temperatura de cocción ideal; esto previene el recalentamiento.
8. Luego que la quesadilla termina de cocinarse, levante la tapa con cuidado utilizando una agarradera/guante de hornear y retire la quesadilla con una espátula plástica o de madera.

Importante: No use utensilios de metal, ya que pueden dañar la capa antiadherente.

9. Mantenga la tapa cerrada para preservar el calor hasta que usted esté listo para la próxima quesadilla.
10. Luego de usar, desenchufe la unidad del tomacorriente y permita que se refresque a temperatura ambiental antes de limpiarla.

CONSEJOS PRÁCTICOS

- Use solamente tortillas de harina de 10 pulgadas al hacer quesadillas con su máquina de quesadillas.
- Las tortillas deben estar frescas y suaves, no secas o rígidas.
- Use solamente ingredientes de relleno que sean suaves cómo: queso rayado, salsa, pedacitos o lascas finas de carne, aves o vegetales. No use alimentos que tengan huesos o pepitas, ya que pueden dañar las placas de cocción.
- No sobrellene sus quesadillas, ya que el relleno se puede salir y acumularse en la reserva de goteo incorporada. No llene la tortilla con más de $\frac{1}{4}$ de taza de queso rayado y/o $\frac{1}{2}$ taza de ingredientes líquidos, cómo la salsa.
- No use queso procesado, ya que se convierte en líquido al calentarse y goteará por fuera de la quesadilla.
- Para obtener mejores resultados, los ingredientes de relleno se deben esparcir lo más uniformemente posible, a $\frac{1}{2}$ pulgada del borde de la tortilla para poder sellar los bordes.
- Las quesadillas cocinadas solo deben estar ligeramente crujientes y doradas. El tiempo de asar promedio para una quesadilla en la máquina ya precalentada es de 3 a 4 minutos. Revise la quesadilla después de 3 minutos; deben estar ligeramente crujientes y doradas.
- No fuerce la tapa a cerrar, ya que puede dañar la bisagra y el mecanismo de cierre.

Importante: Al levantar o cerrar la tapa, siempre agárrela con un guante de hornear o una agarradera.

- Las quesadillas ya asadas se pueden recalentar en la máquina de quesadillas. Colóquelas en el aparato ya precalentado, haciendo coincidir la forma triangular de la quesadilla con la de las placas de cocción. Baje la tapa y caliéntalas nuevamente de 1 a 2 minutos.

Cuidado y limpieza

Este aparato no contiene piezas reparables por el consumidor. Para servicio, por favor acuda a personal calificado.

LIMPIEZA

Importante: Desenchufe la unidad y permita que se refresque antes de limpiarla. Nunca sumerja su máquina de quesadillas en agua o ningún otro líquido.

1. Limpie la tapa, base y las placas de cocción con un paño húmedo y un detergente de platos o jabón. Luego pásele un paño suave húmedo y séquelos con una toalla.

ALAMACENAMIENTO

- Almacene la máquina de quesadillas en un lugar limpio y seco.
- La máquina de quesadillas se puede guardar en posición vertical (con el cierre de la tapa apuntando hacia arriba). Una las placas de cocción y cierrelas, enrolle el cable alrededor de la base de la unidad de forma que quede flojo y pare la unidad para guardarla verticalmente.

Importante: Nunca guarde la unidad mientras esté caliente o mientras esté enchufada.

Importante: Nunca enrolle el cable demasiado apretado alrededor del aparato. No coloque presión sobre el cable donde se conecta a la unidad, ya que esto puede causar que se pele y se rompa.

RECETAS

QUESADILLAS RÁPIDAS

½ taza (4 oz.) queso Cheddar o Monterey Jack rayado

4 tortillas de harina (de 10 pulgadas)

½ taza de salsa con trocitos

¼ taza de cilantro picado

Crema agria de productos lácteos reales

Guacamole (opcional)

Coloque la mitad del queso por encima de las dos tortillas. Divida la salsa en partes iguales y úntela uniformemente sobre el queso. Añada el cilantro y el resto del queso. Cúbralas con el resto de las tortillas.

Coloque las quesadillas en la máquina ya precalentada, una a la vez. Cierre la tapa y cocínelas de 3 – 4 minutos o hasta que la tortillas se doren ligeramente. Retírelas de la máquina de quesadillas y córtelas en forma triangular.

Si lo desea, sívalas con salsa adicional, crema agria o guacamole.

Rinde 2 quesadillas (12 triángulos)

QUESADILLAS DE FRIJOLE Y QUESO

1 lata (16 oz.) de frijoles refritos

¼ taza (2 oz.) de queso Cheddar rayado

1 cebolla pequeña, picada

3 cdtas. Jalapeño encurtido en trocitos pequeños (opcional)

6 tortillas de harina (de 10 pulgadas)

Divida los frijoles refritos a partes iguales y úntelos sobre las tres tortillas, dejando ½ pulgada del borde. Uniformemente, añada el queso Cheddar, la cebolla picada y si lo desea, el jalapeño. Cúbralas con el resto de las tortillas.

Coloque las quesadillas en la máquina ya precalentada, una a la vez. Cierre la tapa y cocínelas de 3 – 4 minutos o hasta que las tortillas se doren ligeramente. Retírelas de la máquina de quesadillas y córtelas en forma triangular.

Si lo desea, sívalas con salsa fresca o crema agria.

Rinde 3 quesadillas (18 triángulos)

QUESADILLAS DE QUESO RICOTTA CON HIERBAS Y PIMIENTO ROJO

1 taza de queso ricotta

1 pomo (4 oz.) pimientos rojos asados, escurridos

1 cucharada de hierbas frescas picadas cómo: perejil, cilantro, tomillo o albahaca

1 diente de ajo, pelado y picado pequeño

¼ cda. sal

⅛ cda. pimienta negra

4 tortillas de harina (de 10 pulgadas)

Combine el queso ricotta, los pimientos asados, las hierbas, el ajo, la sal y la pimienta negra en un recipiente de mezclar pequeño.

Divida la mezcla del relleno a partes iguales y úntela sobre dos de las tortillas, a ½ pulgada del borde. Cúbralas con el resto de las tortillas. Presione hacia abajo con cuidado.

Coloque las quesadillas en la máquina ya precalentada, una a la vez. Cierre la tapa y cocínelas de 3 – 4 minutos o hasta que la se dore ligeramente. Retírelas de la máquina de quesadillas y córtelas en forma triangular.

Sírvalas con salsa fresca o crema agria, si lo desea.

Rinde 2 quesadillas (12 triángulos)

QUESADILLAS DE HONGOS SILVESTRES

2 cda. de aceite de oliva

1 cebolla grande, picada en trocitos

2 dientes de ajo, pelados y picados en trocitos

1 lata de jalapeño asado, picado

½ lb. hongos Crimini o blancos, incluyendo los tallos, picados en trozos gruesos

½ cda. de sal

⅛ cda. de pimienta negra

½ taza (4 oz.) queso suizo o Gouda

4 tortillas de harina (de 10 pulgadas)

Caliente el aceite de oliva en un sartén mediano sobre fuego mediano-alto. Añada la cebolla y el ajo y sofríalos de 4 – 6 minutos o hasta que se suavicen. Añada el jalapeño y los hongos. Sofríalos de 5 – 7 minutos o hasta que los hongos se suavicen. Sazónelos con sal y pimienta. Escúrralos para retirar cualquier líquido que quede de la cocción.

Unte la mitad del queso sobre dos de las tortillas uniformemente, a ½ pulgada del borde. Úntele el relleno de hongos sobre el queso. Añada el resto del queso por encima de cada una y cubra con el resto de las tortillas.

Coloque las quesadillas en la máquina ya precalentada, una a la vez. Cierre la tapa y cocínelas de 3 – 4 minutos o hasta que se doren ligeramente. Retírelas de la máquina de quesadillas y córtelas en forma triangular.

Sírvalas con crema agria, si lo desea.

Rinde 2 quesadillas (12 triángulos)

BOCADILLOS DE PIZZA DE PEPPERONI

½ taza de salsa de pizza

¼ taza (2 oz.) queso Mozzarella rayado

1 cda. queso Parmesano en polvo

2 cdas. pepperoni picado en trocitos

4 tortillas de harina (de 10 pulgadas)

Combine la salsa de pizza, el queso Mozzarella, Parmesano y el pepperoni en un recipiente pequeño para mezclar.

Divida la mezcla de relleno de pizza y úntela uniformemente sobre dos de las tortillas, a ½ pulgada del borde. Cúbralas con el resto de las tortillas.

Coloque las quesadillas en la máquina ya precalentada, una a la vez. Cierre la tapa y cocínelas de 3 – 4 minutos o hasta que se doren ligeramente. Retírelas de la máquina de quesadillas y córtelas en forma triangular.

Rinde 2 quesadillas (12 triángulos)

NOTES/NOTAS

NOTES/NOTAS

NEED HELP?

For service, repair or any questions regarding your appliance, please call our Customer Service Line at 1-800-231-9786. Please **DO NOT** return the product to the place of purchase. Also, please **DO NOT** mail product back to manufacturer, nor bring it to a service center. You may also want to consult the website listed on the cover of this pamphlet.

Three-Year Limited Warranty (Applies only in the United States and Canada)

What does it cover?

- Any defect in material or workmanship provided; however, Spectrum Brands, Inc.'s liability will not exceed the purchase price of product.

For how long?

- Three years from the date of original purchase with proof of such purchase.

What will we do to help you?

- Provide you with a reasonably similar replacement product that is either new or factory refurbished.

How do you get service?

- Save your receipt as proof of date of sale.
- Check our on-line service site at www.prodprotect.com/applica, or call our toll-free number, 1-800-231-9786, for general warranty service.
- If you need parts or accessories, please call 1-800-738-0245.

What does your warranty not cover?

- Damage from commercial use
- Damage from misuse, abuse or neglect
- Products that have been modified in any way
- Products used or serviced outside the country of purchase
- Glass parts and other accessory items that are packed with the unit
- Shipping and handling costs associated with the replacement of the unit
- Consequential or incidental damages (Please note, however, that some states do not allow the exclusion or limitation of consequential or incidental damages, so this limitation may not apply to you.)

How does state law relate to this warranty?

- This warranty gives you specific legal rights, and you may also have other rights that vary from state to state or province to province.

¿NECESITA AYUDA?

Para servicio, reparaciones o cualquier pregunta sobre su electrodoméstico, por favor llame a nuestra Línea de Servicio al Cliente al 1-800-231-9786. Por favor, NO devuelva el producto al lugar donde lo compró. Además, por favor NO envíe el producto por correos al fabricante ni lo lleve a un centro de servicio. También puede consultar el sitio web que aparece en la portada de este manual.

Tres años de garantía limitada (Aplica solamente en Estados Unidos o Canadá)

¿Qué cubre la garantía?

- La garantía cubre cualquier defecto de materiales o de mano de obra. Spectrum Brands, Inc. no se responsabiliza por ningún costo que exceda el valor de compra del producto.

¿Por cuánto tiempo es válida la garantía?

- Por tres años a partir de la fecha original de compra mientras que tenga una prueba de la compra.

¿Qué clase de asistencia recibe el consumidor?

- El consumidor recibe un producto de reemplazo nuevo o restaurado de fábrica, parecido al original.

¿Cómo se obtiene el servicio necesario?

- Conserve el recibo original como comprobante de la fecha de compra.
- Se puede visitar el sitio web de asistencia al consumidor www.prodprotect.com/applica, o se puede llamar gratis al número 1-800-231-9786, para obtener información relacionada al servicio de garantía.
- Si necesita piezas o accesorios, por favor llame gratis al 1-800-738-0245.

¿Qué aspectos no cubre esta garantía?

- Los daños al producto ocasionados por el uso comercial
- Los daños ocasionados por el mal uso, abuso o negligencia
- Los productos que han sido alterados de cualquier manera
- Los productos utilizados o reparados fuera del país original de compra
- Las piezas de vidrio y demás accesorios empacados con el aparato
- Los gastos de tramitación y embarque relacionados con el reemplazo del producto
- Los daños y perjuicios indirectos o incidentales (sin embargo, por favor observe que algunos estados no permiten la exclusión ni la limitación de los daños y perjuicios indirectos ni incidentales, de manera que esta restricción podría no aplicar a usted).

¿Qué relación tiene la ley estatal con esta garantía?

- Esta garantía le otorga derechos legales específicos y el consumidor podría tener otros derechos que varían de una región a otra.

USA/Canada 1-800-231-9786
Accessories/Parts 1-800-738-0245
Register your product at www.prodprotect.com/applica

EE.UU/Canadá 1-800-231-9786
Accesorios/Partes 1-800-738-0245
Registre su producto a www.prodprotect.com/applica

Made and Printed in China.

Fabricado e Impreso en China.

® Registered Trademark and ™ Trademark of Spectrum Brands, Inc.
Los símbolos ® y ™, respectivamente, indican una marca registrada y una
marca comercial de Spectrum Brands, Inc.