



Cook what you love, only healthier

Hot Zone[™]

SEAR & GRIDDLE

GEORGE FOREMAN
HEALTHY COOKING

CUSTOMER CARE LINE:

USA/Canada 1-800-231-9786

Accessories/Parts (USA/Canada)

Accesorios/Partes (EE.UU./Canadá)

1-800-738-0245

For online customer service
and to register your product,
go to www.prodprotect.com/applica

3-YEAR LIMITED WARRANTY

Find additional healthy recipes at
www.georgeforemancooking.com

MODEL/MODELO
GR0215G

Applica[®]
Applica Consumer Products, Inc.

Copyright © 2010 Applica Consumer Products, Inc.

2010/5-7-11

IMPORTANT SAFEGUARDS

When using electrical appliances, basic safety precautions should always be followed, including the following:

- Read all instructions.
- Do not touch hot surfaces. Use handles or knobs.
- To protect against electric shock do not immerse cord, plugs or appliance in water or other liquid.
- Close supervision is necessary when any appliance is used by or near children.
- Unplug from outlet when not in use and before cleaning. Allow to cool before putting on or taking off parts, and before cleaning the appliance.
- Do not operate any appliance with a damaged cord or plug, or after the appliance malfunctions or has been damaged in any manner. Return appliance to the nearest authorized service facility for examination, repair or adjustment. Or, call the appropriate toll-free number on the cover of this manual.
- The use of accessory attachments not recommended by the appliance manufacturer may cause injuries.
- Do not use outdoors.
- Do not let cord hang over edge of table or counter, or touch hot surfaces.
- Do not place on or near a hot gas or electric burner, or in a heated oven.
- Extreme caution must be used when moving an appliance containing hot oil or other hot liquids.
- Always attach plug to appliance first, then plug cord into the wall outlet. To disconnect, turn any control to OFF, then remove plug from wall outlet.
- Do not use appliance for other than intended use.

SAVE THESE INSTRUCTIONS.

This product is for household use only.

POLARIZED PLUG (120V Models Only)

This appliance has a polarized plug (one blade is wider than the other). To reduce the risk of electric shock, this plug is intended to fit into a polarized outlet only one way. If the plug does not fit fully into the outlet, reverse the plug. If it still does not fit, contact a qualified electrician. Do not attempt to modify the plug in any way.

TAMPER-RESISTANT SCREW

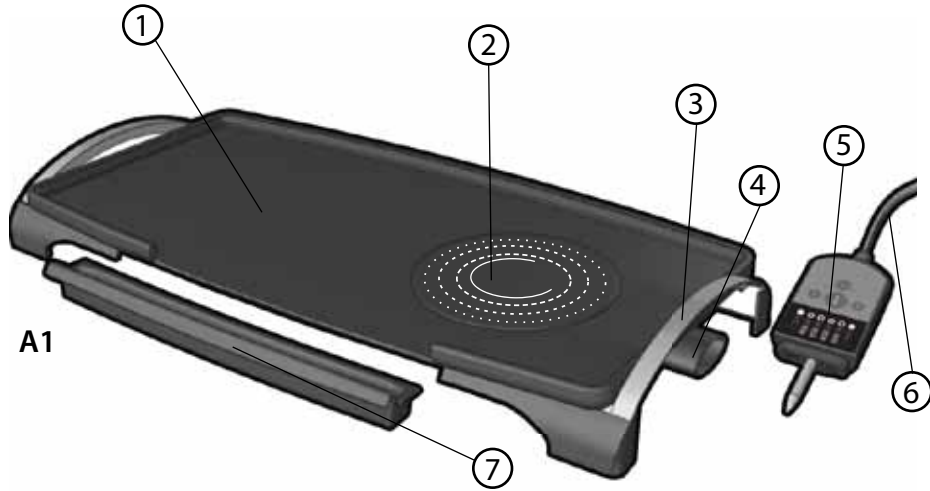
Warning: This appliance is equipped with a tamper-resistant screw to prevent removal of the outer cover. To reduce the risk of fire or electric shock, do not attempt to remove the outer cover. There are no user-serviceable parts inside. Repair should be done only by authorized service personnel.

ELECTRICAL CORD

- a) A short power-supply cord (or detachable power-supply cord) is to be provided to reduce the risk resulting from becoming entangled in or tripping over a longer cord.
- b) Longer detachable power-supply cords or extension cords are available and may be used if care is exercised in their use.
- c) If a long detachable power-supply cord or extension cord is used,
 - 1) The marked electrical rating of the detachable power-supply cord or extension cord should be at least as great as the electrical rating of the appliance,
 - 2) If the appliance is of the grounded type, the extension cord should be a grounding-type 3-wire cord, and
 - 3) The longer cord should be arranged so that it will not drape over the countertop or tabletop where it can be pulled on by children or tripped over.

Note: If the power supply cord is damaged, it should be replaced by qualified personnel; in Latin America, by an authorized service center.

Product may vary slightly from what is illustrated.



1. Griddle plate (regular cooking surface)

2. Hot Zone™ cooking area

3. Cool touch handle (both sides)

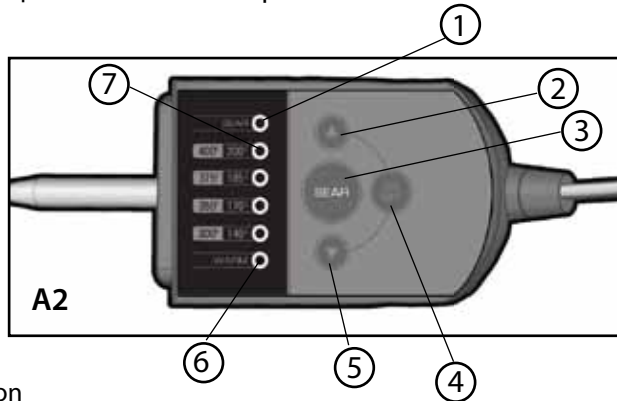
4. Probe receptacle

† 5. Temperature control probe (Part # GR0215G-01)

6. Power cord

† 7. Drip tray (Part # GR0215G-02)

Note: † indicates consumer replaceable/removable parts



1. SEAR indicator light

2. Temperature up (▲) button

3. SEAR button

4. ON/OFF button

5. Temperature down (▼) button

6. WARM indicator light

7. Temperature indicator lights

How to Use

This product is for household use only.

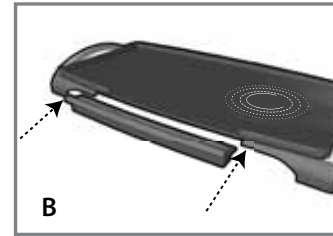
GETTING STARTED

- Remove all packing material and, if applicable, any stickers from the product; remove and save literature.
- Please go to www.prodprotect.com/applica to register your warranty; for additional information go to www.georgeforemancooking.com.
- Your appliance comes partially assembled in the box.
- Wash griddle and drip tray as instructed in CARE AND CLEANING section of this manual. This will remove any traces of dust or residue left from manufacturing and shipping.

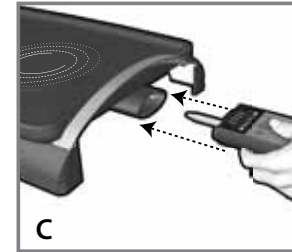
Note: Make sure all pieces are dry prior to use.

- Select a dry, level location on a heat resistant surface where unit is to be used, leaving enough space between back of unit and wall to allow heat to flow without damage to cabinets and walls.

DRIP TRAY



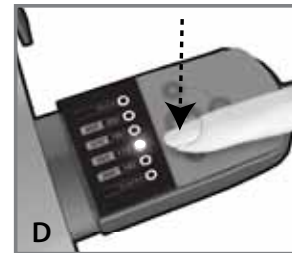
Place the drip tray under the front section of the griddle through the projections on either side of the opening (B).



POWER CORD

Unwind the cord and insert the temperature control probe into the probe receptacle on the right side of the griddle (C).

USING YOUR GRIDDLE



1. Plug cord into a standard electrical outlet. Press the ON/OFF button in the center of the temperature control probe. The light next to the WARM setting will flash green.
2. To begin preheating, set the desired temperature by pressing the UP (▲) button on the temperature control probe until the orange light to the right of the desired temperature setting begins to flash (D).
3. The temperature can be changed at any time by pressing the UP (▲) or DOWN (▼) buttons on the temperature control probe repeatedly. The non-sear temperature settings range from 300°F to 400°F (see COOKING CHART for suggested temperature settings).

4. Allow the griddle to heat 5 to 8 minutes. The light next to the selected temperature will become constant when the set temperature is reached.

Note: When a new higher temperature is selected, the light next to that setting on the temperature control probe will flash until that temperature is reached. If a lower temperature is selected, the light will remain constant next to the lower temperature setting.

5. Carefully place the foods to be cooked on the griddle.

Note: Do not overload the griddle.

6. When cooking is complete, remove the cooked food using a nylon, wood or plastic spatula.

Note: Always use heatproof plastic, nylon or wood utensils to avoid scratching the nonstick surface of the griddle. Never use metal skewers, tongs, forks or knives.

7. When finished cooking, press the ON/OFF button and unplug the appliance.

8. Allow the drip tray to cool before removing it from under the griddle ; use both hands to remove smoothly. Be sure the liquid in the drip tray has cooled before emptying it. Wash and dry the drip tray after each use.

Important: Do not leave the appliance unattended during use.

Important: The heat continues to be ON until the griddle is turned off.

FOOD	TEMPERATURE	TIME	DIRECTIONS
Eggs	350°F	3 to 4 minutes	Lightly butter the griddle before cooking.
Ham slices	350°F	4 to 6 minutes	Cook until browned on both sides and heated through; turn once.
Canadian bacon	350°F	3 to 4 minutes	Cook until browned on both sides; turn once.
Hot dogs	350°F	6 to 8 minutes	Turn often to brown on all sides and cook through.
Sandwiches	350°F	6 to 8 minutes	Lightly butter the griddle before cooking or butter outside of both slices of bread; cook until golden on both sides and heated through.
Vegetables	350°F	6 to 8 minutes	Add a small amount of oil, if desired.

COOKING CHART WHEN "SEAR" FUNCTION IS NOT IN USE:

FOOD	TEMPERATURE	TIME	DIRECTIONS
Bacon	350°F	8 to 14 minutes	Turn often for even browning.
Sausage, fresh links and patties	350°F	8 to 12 minutes	Turn often for even browning and thorough cooking.
Sausage, frozen links and patties	350°F	8 to 14 minutes	Turn often for even browning and thorough cooking.
French toast	350°F	6 to 10 minutes	Lightly butter the griddle before cooking each side. Turn once.
Pancakes	400°F	3 to 5 minutes	Lightly grease griddle with oil. Use about 3 to 4 tbsp. batter for each pancake. Turn once bubbles appear on surface and side facing griddle is golden.

TIPS AND HINTS

- Do not use aerosol cooking spray on the nonstick surface; use a small amount of oil or butter, if desired.
- Space foods evenly on the griddle.
- Do not overload the griddle.
- When cooking cycle is to be repeated, allow the griddle to return to the set temperature.

HOW TO USE THE HOT ZONE SEAR FUNCTION

This unique feature allows you to sear meats, fish, vegetables and fruits for up to 2 minutes at a high temperature and then automatically lowers the griddle temperature to the original setting to continue cooking.

Note: The SEAR function can be used at any time during the cooking cycle.

Using SEAR at the beginning of the cooking cycle:



1. To begin preheating, set the desired temperature by pressing the UP (▲) button on the temperature control probe until the light to the right of the desired setting begins to flash.
2. Press the SEAR button on the temperature control probe to raise the temperature in the Hot Zone™ area of the griddle to 520°F. The light next to SEAR on the temperature control probe will begin flashing and the orange light under the SEAR button will be illuminated (E).

3. When the Hot Zone™ area is fully heated, the light next to SEAR on the temperature control probe will become constant. The Hot Zone™ area will hold that temperature for approximately 2 minutes

Note: It is not necessary to wait for the griddle to heat to the preset temperature before selecting SEAR.

4. Carefully place the food to be seared on the Hot Zone™ area. Sear food on each side for about 1 minute.
5. After about 2 minutes, the temperature on the temperature control probe will change to the preset temperature initially selected. (For example, if you select 350°F and then SEAR, the griddle will return to 350°F after the searing function is complete.)

Note: You can turn off SEAR by either pressing the Down (▼) button or by pressing the desired temperature. The griddle will automatically revert to the preset temperature.

6. To continue cooking, move the food to the regular cooking area of the griddle.
7. If you have more food to sear, press the SEAR button again and follow steps 2 – 4.

Note: When using SEAR, watch foods that are on the rest of the griddle carefully; turn often to maintain even cooking.

Using SEAR in the middle or at the end of the cooking cycle:

1. Follow steps 1 to 6 in the HOW TO USE on pages 5-6.
2. Press the SEAR button on the temperature control probe to raise the temperature in the Hot Zone™ area to 520°F (see **Illustration E**). The light next to SEAR on the temperature control probe will begin flashing and the orange light under the SEAR button will be illuminated.
3. When the Hot Zone™ area is fully heated, the light next to SEAR on the temperature control probe will become constant. It will hold that temperature for approximately 2 minutes.
4. Follow steps 4 to 7 in USING SEAR AT THE BEGINNING OF THE COOKING CYCLE.

GUIDE FOR COOKING MEAT AND POULTRY ON THE HOT ZONE™ SEAR & GRIDDLE

FOOD TO BE COOKED	INTERNAL TEMPERATURE (MEDIUM)	INTERNAL TEMPERATURE (WELL DONE / FULLY COOKED)		
Chicken Breast		170°F	77°C	
Chicken Thigh		180°F	82°C	
Beef / Lamb / Veal	160°F	71°C	170°F	77°C
Pork		160°F	71°C	
Reheated cooked meats and poultry		165°F	74°C	

TIPS AND HINTS FOR USING THE HOT ZONE™ AREA

- Be sure Hot Zone™ area is preheated before use to assure even searing.
- Meats, poultry, fish, and vegetables can be seared on the Hot Zone™ area and then moved to regular cooking surface of the griddle to complete cooking.
- Use a meat thermometer when cooking meat and poultry to test for doneness.
- Remember to set the temperature setting to approximately 350°F on the regular cooking surface of griddle before searing to allow for adequate cooking once meats are seared.
- Foods – such as thinly sliced beef, shrimp and scallops – may only require another 3 to 5 minutes to complete cooking once they have been seared.

Care and Cleaning

This product contains no user serviceable parts. Refer service to qualified service personnel.

CLEANING

Warning: To avoid electric shock, unplug from outlet when not in use and before cleaning. Do not immerse temperature control probe, cord or plug in water or other liquid.

Caution: To avoid accidental burns, allow griddle to cool completely before cleaning.

1. Before cleaning, turn the temperature control probe OFF and unplug from the wall outlet. Remove temperature control probe, wipe with a damp cloth and dry thoroughly.
2. Make sure drip tray is under front of griddle. Using a nylon, wood or plastic spatula, scrape off any excess fat and food particles.
3. Empty the drip tray. The drip tray may be washed in the dishwasher, top-rack only. Do not wash griddle in the dishwasher.
4. Wash griddle, drip tray and spatula with warm soapy water; rinse and dry thoroughly.

Caution: Temperature control probe and probe receptacle must always be completely dry before use.

5. **Stubborn Build-up:** If necessary, use a nonmetallic scrubbing pad to clean the griddle. Do not use steel wool or scouring pads on any part of the appliance. For stuck-on food, try using Soft Scrub[®] or Bar Keepers Friend[®] to clean the cooking surface of the griddle.

STORAGE

Unplug unit, allow to cool and clean before storing. Store in a clean, dry place. Never store griddle while it is hot or still plugged in. Never wrap cord tightly around the appliance, as this could cause the cord to fray and break.

TROUBLESHOOTING

PROBLEM	POSSIBLE CAUSE	SOLUTION
Finish on griddle has cut marks.	Metal utensils have been used.	Always use heatproof plastic, nylon or wood utensils to avoid scratching the nonstick surface of the griddle. Never use metal skewers, tongs, forks or knives.
The griddle is not cooking well; food is undercooked.	Griddle was not fully preheated before use.	Always preheat griddle until light next to selected temperature becomes constant before cooking any foods.
There is food buildup on the griddle.	Griddle not properly cleaned after use.	Use a nylon scrubbing pad and hot soapy water to clean the griddle. Do not use steel wool scrubbing pads or abrasive cleaners to clean the nonstick surface.
Griddle does not turn on.	Griddle is not plugged in.	Check to be sure appliance is plugged in to a working outlet and temperature control probe is turned on and set to the desired temperature setting.
My griddle has white spots on it.	The water from cleaning has dried on the surface of the griddle.	Dry griddle immediately after washing.

Recipes

Find additional recipes for healthy, gourmet meals at www.georgeforemancooking.com!

CHICKEN DINNER IN A HURRY

1 tbsp. fresh rosemary, chopped
1 tbsp. fresh thyme leaves, chopped
1 large clove garlic, minced
1½ tsp. salt
¼ tsp. coarse black pepper
2 tsp. olive oil
1 lb. chicken tenderloins
¾ lb. red skin potatoes, sliced
1 small white onion, halved and thinly sliced
1 small red onion, halved and thinly sliced
Chopped parsley

In a small bowl, combine rosemary, thyme, garlic, ½ tsp. salt, 1/8 tsp. pepper and 1 tsp. olive oil. Place chicken in a medium bowl. Add half of rosemary mixture and toss to blend. Set remainder aside. Allow to marinate 10 minutes.

Preheat griddle to 350°F. Sauté potatoes and onions in remaining 1 tsp. olive oil for about 5 minutes. Season with reserved rosemary mixture, 1 tsp. salt and 1/8 tsp. pepper. Toss occasionally to cook evenly.

Press SEAR button. When the Hot Zone™ area is preheated, the light on the control will stop flashing. Add chicken and sear for 1 minute on each side. Meanwhile, continue to cook potato mixture until tender, turning often.

Move chicken to regular cooking surface on the griddle and continue to cook until fully cooked (a meat thermometer inserted into the tenderloin will register 180°F).

Makes 3 to 4 servings.

SHRIMP ON THE GRIDDLE

2 tbsp. fresh cilantro, chopped
2 large clove garlic, minced
½ tsp. salt
½ tsp. crushed red pepper flakes
2 tbsp. fresh lemon juice
1 tbsp. olive oil
¾ lb. jumbo shrimp, shelled and deveined
¾ cup sliced green onions
¾ cup chopped red pepper
1½ cups packed baby spinach leaves
1 cup whole kernel corn

In a medium bowl, combine 1 tbsp. chopped cilantro, 1 clove of garlic, ¼ tsp. salt, red pepper flakes, lemon juice and 2 tsp. olive oil. Add shrimp and toss to coat. Allow to marinate at least 10 minutes.

Preheat griddle to 350°F. Sauté green onions and red pepper in remaining 2 tsp. olive oil for about 2 minutes. Season with remaining minced garlic and ¼ tsp. salt.

Press SEAR button; when Hot Zone™ area is preheated, the light on the control will stop flashing. Add shrimp and sear for 1 minute on each side. Meanwhile, continue to cook pepper mixture, turning often.

Move shrimp to regular cooking surface on the griddle and continue to cook until fully cooked; add spinach and corn to pepper mixture and cook until spinach is just wilted.

Makes 3 servings.

ORANGE FLAVORED SALMON

1 small purple onion, halved and thinly sliced
1 tsp. olive oil
¾ tsp. salt
1/8 tsp. pepper
½ lb. salmon fillet
1 tbsp. snipped fresh dill
1 large navel orange, sliced
1 tbsp. chopped parsley

Preheat griddle to 350°F. Sauté onion in olive oil for 2 minutes, turning often. Add ¼ tsp. salt and pepper.

Press SEAR button; when Hot Zone™ area is preheated, the light on the control will stop flashing. Season salmon with remaining 1 tsp. salt and sear for 1 minute on each side. Meanwhile, continue to cook onion, turning often.

Move salmon to regular cooking surface of the griddle. Sprinkle with dill. Continue to cook 3 to 4 minutes.

Press SEAR button again; when Hot Zone™ area is preheated, the light on the control will stop flashing. Add orange slices and sear for 1 minute on each side.

Cook until salmon flakes easily when tested with a fork.

Serve garnished with onion and orange. Sprinkle all with parsley.

Makes 2 servings.

STEAK A LA ROMA

1 small onion, halved and thinly sliced
1½ cups sliced zucchini
1 small yellow squash, halved and sliced
1 tbsp. olive oil
1 Roma tomato, coarsely chopped
2 tbsp. julienned fresh basil
½ tsp. salt
½ tsp. black pepper
2 thin slices boneless strip steak (about 6 oz.)
½ tsp. Adobo seasoning

Preheat griddle to 350°F. Sauté onion, zucchini and yellow squash in olive oil for 5 minutes, turning often. Add basil, salt and ¼ tsp. pepper.

Press SEAR button; when Hot Zone™ area is preheated, the light on the control will stop flashing. Meanwhile, season beef on both sides with Adobo seasoning and remaining ¼ tsp. pepper.

Sear meat for 1 minute on each side. Meanwhile, continue to cook vegetable mixture until tender, turning often. When finished searing, move steak to regular cooking surface of the griddle and continue to cook until fully cooked.

Makes 2 servings.

ASIAN MARINATED SEA SCALLOPS

¾ lb. sea scallops
3 tbsp. bottled teriyaki marinade
2 tsp. grated fresh ginger
1 medium clove garlic, minced
1 tsp. sesame oil
1 pkg. (3.5 oz.) fresh oyster mushrooms*
1½ cups fresh snow peas (about 3 oz.)
1 cup julienne carrots
1/3 cup chopped red pepper
2 tsp. vegetable oil

In a medium bowl, combine 2 tbsp. teriyaki marinade, 1 tsp. grated ginger, garlic and ½ tsp. sesame oil. Add scallops and toss to coat. Allow to marinate at least 10 minutes.

Preheat griddle to 350°F. Sauté mushrooms, snow peas, carrots and red pepper in vegetable oil for about 2 minutes. Season with remaining 1 tsp. ginger.

Press SEAR button; when Hot Zone™ area is preheated, the light on the control will stop flashing. Add scallops and sear for 1 minute on each side. Meanwhile, continue to cook mushroom mixture, turning often.

Move scallops to regular cooking surface of the griddle and continue to cook scallops and vegetable mixture until fully cooked, adding remaining 1 tbsp. teriyaki sauce to vegetable mixture.

Makes 3 servings.

*Shitake mushrooms may be substituted for oyster mushrooms

Por favor lea este instructivo antes de usar el producto

INSTRUCCIONES IMPORTANTES DE SEGURIDAD

Cuando se usan aparatos eléctricos, siempre se deben respetar las siguientes medidas básicas de seguridad:

- Por favor lea todas las instrucciones.
- No toque las superficies calientes. Use las asas o las perillas.
- A fin de protegerse contra un choque eléctrico y lesiones a las personas, no sumerja el cable, los enchufes ni el aparato en agua ni en ningún otro líquido.
- Todo aparato eléctrico usado en la presencia de los niños o por ellos mismos requiere la supervisión de un adulto.
- Desconecte el aparato del toma corriente cuando no esté en uso y antes de limpiarlo. Espere que el aparato se enfríe antes de instalarle o retirarle piezas y antes de limpiarlo.
- No use ningún aparato eléctrico que tenga el cable o el enchufe averiado, que presente un problema de funcionamiento o que esté dañado. Acuda a un centro de servicio autorizado para que lo examinen, reparen o ajusten o llame gratis al número correspondiente en la cubierta de este manual.
- El uso de accesorios no recomendados por el fabricante del aparato puede ocasionar incendio, choque eléctrico o lesiones a las personas.
- No use este aparato a la intemperie.
- No permita que el cable cuelgue del borde de la mesa o del mostrador ni que entre en contacto con superficies calientes.
- No coloque el aparato sobre ni cerca de las hornillas de gas o eléctricas ni adentro de un horno caliente.
- Se debe tener muchísimo cuidado al mover un aparato cuando tiene aceite u otros líquidos calientes.

- Siempre conecte primero el cable al aparato y después, enchúfelo a la toma de corriente. Para desconectar, ajuste todo control a la posición de apagado (OFF) y después, retire el enchufe de la toma de corriente.
- Este aparato se debe usar únicamente con el fin previsto.

CONSERVE ESTAS INSTRUCCIONES.

Este aparato eléctrico es para uso doméstico únicamente.

ENCHUFE POLARIZADO (Solamente para los modelos de 120V)

Este aparato cuenta con un enchufe polarizado (un contacto es más ancho que el otro). A fin de reducir el riesgo de un choque eléctrico, este enchufe encaja en un tomacorriente polarizada en un solo sentido. Si el enchufe no entra en el tomacorriente, invértalo y si aun así no encaja, consulte con un electricista. Por favor no trate de alterar esta medida de seguridad.

TORNILLO DE SEGURIDAD

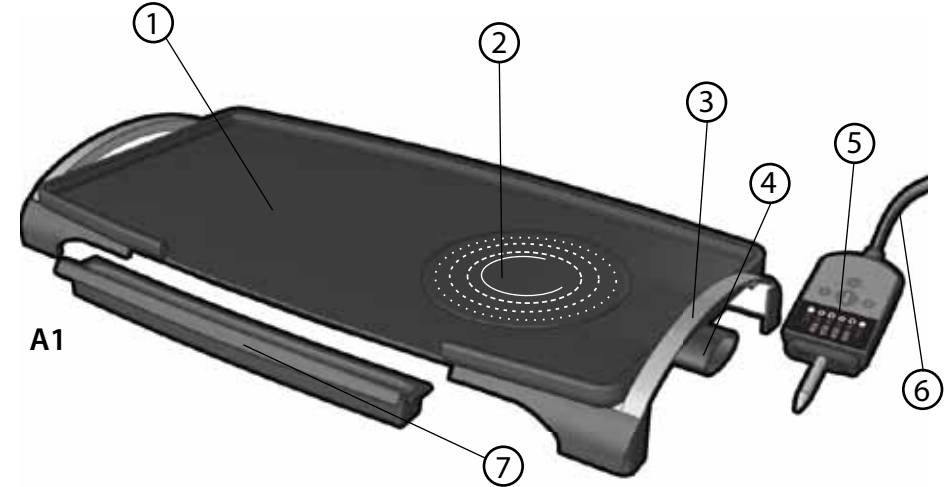
Advertencia: Este aparato cuenta con un tornillo de seguridad para evitar la remoción de la cubierta exterior del mismo. A fin de reducir el riesgo de incendio o de choque eléctrico, por favor no trate de remover la cubierta exterior. Este producto no contiene piezas reparables por el consumidor. Toda reparación se debe llevar a cabo únicamente por personal de servicio autorizado.

CABLE ELÉCTRICO

- El producto se debe proporcionar con un cable eléctrico corto (o uno separable), a fin de reducir el riesgo de tropezar o de enredarse en un cable más largo.
- Existen cables eléctricos más largos y separables o cables de extensión que uno puede utilizar si toma el cuidado debido.
- Si se utiliza un cable separable o de extensión,
 - El régimen nominal del cable separable o del cable de extensión debe ser, como mínimo, igual al del régimen nominal del aparato.
 - Si el aparato es de conexión a tierra, el cable de extensión debe ser un cable de tres alambres de conexión a tierra.
 - Uno debe acomodar el cable más largo de manera que no cuelgue del mostrador o de la mesa, para evitar que un niño tire del mismo o que alguien se tropiece.

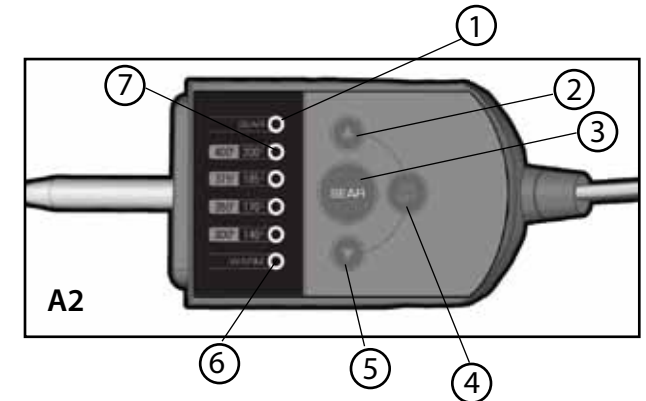
Nota: Si el cordón de alimentación está dañado, en América Latina debe sustituirse por personal calificado o por el centro de servicio autorizado.

El producto puede variar ligeramente del que aparece ilustrado aquí.



1. Placa de la plancha (superficie regular de cocción)
2. Área de cocción Hot Zone™
3. Asas frías al tacto (a ambos lados)
4. Receptáculo para la sonda
- † 5. Sonda de control de temperatura (Pieza No GR0215G-01)
6. Cable
- † 7. Bandeja de goteo (Pieza No GR0215G-02)

Nota: † indica piezas removibles/reemplazables por el consumidor



1. Luz indicadora de SELLAR (SEAR)
2. Botón de subir (▲) la temperatura
3. Botón de SELLAR (SEAR)
4. Botón de ENCENDER/APAGAR (ON/OFF)
5. Botón de bajar (▼) la temperatura
6. Luz indicadora de CALENTAR (WARM)
7. Luces indicadoras de la temperatura

Como usar

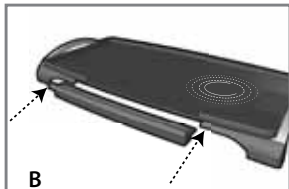
Este producto es para uso doméstico solamente.

PARA COMENZAR

- Retire todo el material de empaque y cualquier etiqueta que tenga el producto; retire y guarde el material de lectura.
- Asegúrese de tener todas las piezas que aparecen en la lista en la página 19.
- Por favor, ir a www.prodprotect.com/applica para registrar su garantía; para información adicional, ir a www.georgeforemancooking.com.
- Lave la plancha y la bandeja de goteo como se instruye en CUIDADO Y LIMPIEZA. Esto retira cualquier polvo o residuo que quede de la fabricación y el envío.

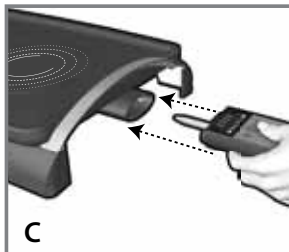
Importante: Asegúrese de que todas las piezas estén secas antes de usarlas.

- Seleccione un lugar seco, nivelado, sobre una superficie resistente al calor donde va a utilizar la unidad. Deje suficiente espacio entre la parte de atrás de la unidad y las paredes para permitir que el calor fluya sin causar daños a los gabinetes y a las paredes.



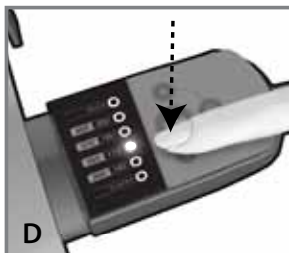
BANDEJA DE GOTEO

Deslice la bandeja de goteo en las guías debajo de la sección frontal de la plancha (B).



CABLE ELÉCTRICO

Desenrolle el cable e inserte la sonda de control de temperatura en su receptáculo, ubicado en el lado derecho de la plancha (C).



USO DE SU PLANCHA

1. Enchufe el cable a un tomacorriente estándar. Oprima el botón de ENCENDER/APAGAR (ON/OFF) en el centro de la sonda de control de temperatura. La luz al lado de CALENTAR (WARM) se prenderá en verde, de forma intermitente.
2. Para comenzar a precalentar, presione el botón de SUBIR (▲) para ajustar la temperatura según desee, hasta que la luz naranja a la derecha del nivel de temperatura que desee se prenda de forma intermitente (D).

3. **Nota:** Para cambiar la temperatura en cualquier momento, presione el botón de SUBIR (▲) o BAJAR (▼) repetidamente. Los niveles de temperatura que no son para SELLAR se encuentran entre 300 °F y 400 °F (ver TABLA DE COCINA para los niveles sugeridos).

4. Permita que la plancha se caliente de 5 a 8 minutos. La luz al lado de la temperatura seleccionada deja de prenderse intermitentemente cuando alcanza la temperatura ajustada.

Nota: Cuando se selecciona una nueva temperatura más alta, la luz en la sonda de temperatura al lado del nivel seleccionado se prende de forma intermitente hasta alcanzar la temperatura. Si se selecciona una temperatura más baja, la luz al lado del nivel permanece prendida.

5. Cuidadosamente coloque los alimentos que va a cocinar sobre la plancha.

Importante: No sobrellene la plancha.

6. Cuando termine de cocinar, retire los alimentos cocinados de la plancha usando una espátula plástica, de madera o de nailon resistente al calor.

Importante: Nunca use pinchos, pinzas, tenedores o cuchillos de metal; rayan la capa de cerámica antiadherente sobre la superficie de cocción.

7. Cuando termine de cocinar, presione el botón de ENCENDER/APAGAR (ON/OFF) y desenchufe el electrodoméstico.

8. Permita que la bandeja de goteo se enfríe antes de retirarla de debajo de la plancha; use ambas manos y retire lentamente. Asegúrese de que el líquido en la bandeja se haya enfriado antes de vaciarlo. Lave y seque la bandeja de goteo luego de cada uso.

Importante: No deje el electrodoméstico desatendido durante su uso.

Importante: El calor continúa ENCENDIDO hasta que la plancha se apague.

TABLA DE COCINA

Nota: Esta tabla proporciona los tiempos que se utilizan para cocinar sobre la superficie de cocción regular de la plancha. Consulte las instrucciones de CÓMO USAR LA FUNCIÓN PARA SELLAR HOT ZONE para detalles acerca de como cocinar en el área de cocción Hot Zone™.

ALIMENTO	TEMPERATURA	TIEMPO	DIRECCIONES
Tocino	350 °F	8 a 14 minutos	Déle vueltas a menudo para dorarlo de forma uniforme.
Tocino canadiense	350 °F	3 a 4 minutos	Cocinar hasta que se dore por ambos lados; déle vuelta una vez.
Huevos	350 °F	3 a 4 minutos	Ligeramente úntele mantequilla a la plancha antes de cocinar.
Tostada francesa	350 °F	6 a 10 minutos	Ligeramente úntele mantequilla a la plancha antes de cocinar. Déle vuelta una vez.

ALIMENTO	TEMPERATURA	TIEMPO	DIRECCIONES
Rebanadas de jamón	350°F	4 a 6 minutos	Cocinar hasta que se doren por ambos lados y se calienten por dentro; déle vuelta una vez.
Perros calientes	350 °F	6 a 8 minutos	Darle vueltas a menudo para que se doren por todos lados y se cocinen por dentro.
Panqueques	400 °F	3 a 5 minutos	Ligeramente úntele aceite a la plancha. Use alrededor de 3 a 4 cdas. de mezcla por cada panqué. Déle vuelta una vez – luego que aparecen burbujas en la superficie y el lado que queda hacia la plancha está dorado.
Sándwiches	350 °F	6 a 8 minutos	Ligeramente úntele mantequilla a la plancha antes de cocinar o úntele mantequilla por fuera a ambas rebanadas de pan; cocinar hasta que se doren por ambos lados y se calienten por dentro.
Salchichas y hamburguesas frescas	350 °F	8 a 12 minutos	Déle vueltas a menudo para que se doren de forma uniforme y se cocinen por dentro.
Salchichas y hamburguesas congeladas	350 °F	8 a 14 minutos	Déle vuelta a menudo para que se doren de forma uniforme y se cocinen por dentro.
Vegetales	350 °F	6 a 8 minutos	Añada una pequeña cantidad de aceite, si lo desea.

CONSEJOS

- No utilice atomizador para cocinar sobre la superficie antiadherente; use una pequeña cantidad de aceite o mantequilla, si lo desea.
- Separe los alimentos de forma uniforme sobre la plancha.
- No sobrellene la plancha.
- Cuando vaya a repetir el ciclo de cocción, permita que la plancha vuelva a la temperatura ajustada.

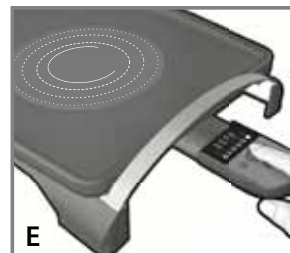
COMO USAR LA FUNCION PARA SELLAR HOT ZONE™

Esta función le permite SELLAR carnes, pescado, vegetales y frutas hasta por 2 minutos a una temperatura alta; luego automáticamente baja la temperatura de la plancha al nivel original para continuar cocinando.

Nota: La función de SELLAR se puede utilizar en cualquier momento mientras cocina.

Uso de la función de SELLAR (SEAR) al principio de la cocción:

1. Para comenzar a precalentar, Ajuste la temperatura que desee presionando el botón de SUBIR (▲) en la sonda hasta que la luz al lado del nivel de temperatura deseado se prenda de forma intermitente.



2. Presione el botón de SELLAR (SEAR) para elevar la temperatura del área de cocción Hot Zone™. La luz indicadora de SELLAR (SEAR) se prenderá de forma intermitente y la luz naranja debajo del botón SELLAR (SEAR) estará iluminada (E).
3. Cuando el área de cocción Hot Zone™ se caliente por completo, la luz indicadora de SELLAR (SEAR) dejará de titilar. El área de cocción Hot Zone™ mantendrá esa temperatura por aproximadamente 2 minutos.

Nota: No es necesario esperar a que la plancha se caliente a la temperatura preajustada antes de seleccionar la función de SELLAR (SEAR).

4. Cuidadosamente coloque los alimentos que va a SELLAR en el área Hot Zone™. Selle los alimentos alrededor de 1 minuto por cada lado.
 5. Luego de alrededor de 2 minutos, la temperatura en la sonda de control de temperatura cambiará a la temperatura inicialmente seleccionada. (Por ejemplo, si usted selecciona 350 °F y luego selecciona SELLAR (SEAR), la plancha regresará a 350 °F luego que la función de SELLAR termine.)
- Nota:** Para apagar la función de SELLAR (SEAR), presione el botón de SUBIR (▲) o BAJAR (▼). La plancha automáticamente vuelve a la temperatura preajustada.
6. Para continuar cocinando, mueva los alimentos a la superficie regular de cocción de la plancha.
 7. Si usted tiene más alimentos que SELLAR, presione el botón SELLAR (SEAR) otra vez y siga los pasos 2 – 4.

Nota: Cuando use la función de SELLAR (SEAR), observe cuidadosamente el resto de los alimentos sobre la plancha; déles vuelta a menudo para mantener la cocción uniforme.

Uso de la función de SELLAR (SEAR) a la mitad o al final del ciclo de cocción:

1. Siga los pasos del 1 al 6 en la sección CÓMO USAR en la páginas 20-21.
2. Presione el botón de SELLAR (SEAR) en la sonda de control de temperatura para elevar la temperatura en el área de cocción Hot Zone™ a 520 °F (ver Ilustración E). La luz indicadora de la función de SELLAR (SEAR) se prenderá de forma intermitente y la luz naranja debajo del botón de SELLAR (SEAR) se iluminará.
3. Cuando el área Hot Zone™ se caliente por completo, la luz indicadora de SELLAR (SEAR) dejará de titilar. La plancha aguantará la temperatura por aproximadamente 2 minutos.
4. Siga los pasos del 4 a 7 en USO DE LA FUNCIÓN DE SELLAR AL INICIO DE LA COCCIÓN.

GUÍA PARA COCINAR CARNE Y AVES EN LA PLANCHA HOT ZONE™

ALIMENTOS A COCINAR	TEMPERATURA INTERNA (TÉRMINO MEDIO)	TEMPERATURA INTERNA (BIEN HECHO/ COMPLETAMENTE COCINADO)
Pechuga de pollo		170 °F 77 °C
Muslo de pollo		180 °F 82 °C
Carne / Cordero / Ternera	160 °F 71 °C	170 °F 77 °C
Puerco		160 °F 71 °C
Carnes y aves recalentadas		165 °F 74 °C

CONSEJOS PARA EL USO DEL AREA HOT ZONE™

- Asegúrese de que el área de cocción esté precalentada antes de usarla para asegurar que los alimentos se abrasen de forma uniforme.
- Las carnes, las aves, el pescado y las frutas se pueden SELLAR en el área Hot Zone™ y luego moverse al área de cocción regular de la plancha.
- Al cocinar carnes y aves, use un termómetro para carnes para probar la temperatura de los alimentos.
- Recuerde ajustar el nivel de temperatura a aproximadamente 350 °F en la superficie de cocción regular antes de SELLAR las carnes, para permitir que se cocinen de forma adecuada una vez que se sellen.
- Los alimentos – como la carne en tajadas finas, los camarones y las vieiras – pueden que solo requieran otros 3 o 5 minutos para que se terminen de cocinar luego de sellarlos.

Cuidado y limpieza

Este aparato no contiene piezas reparables por el consumidor. Para servicio, por favor acuda a personal calificado.

LIMPIEZA

Advertencia: Para evitar descargas eléctricas, cuando la unidad no esté en uso y antes de limpiarla, desenchúfela del tomacorriente. No sumerja la sonda de control de temperatura, el enchufe, ni el cable, en agua o ningún otro líquido.

Precaución: Para evitar quemadas accidentales, permita que la plancha se enfríe completamente antes de limpiarla.

1. Apague OFF la sonda de control de temperatura y desenchúfela del tomacorriente antes de limpiarla. Retire la sonda de control de temperatura, límpiela con un paño húmedo y séquela bien.
2. Coloque la bandeja de goteo debajo de la plancha. Con una espátula de nylon, madera, o de plástico quite cualquier exceso de grasa o partículas de comida.
3. Vacíe la bandeja de goteo. La bandeja solo puede lavarse en la parte de arriba de la lavaplatos. No lave la plancha en la lavaplatos.
4. Limpie la superficie de la plancha con agua tibia jabonada; enjuáguela y séquela bien.

Precaución: La sonda de control de temperatura y su receptáculo siempre deben estar completamente secos antes de usarlos.

5. **Residuos difíciles:** Si es necesario, use una almohadilla no metálica para limpiar la superficie de cocción de la plancha. No use estropajos de aluminio ni almohadillas con limpiadores abrasivos sobre parte alguna de este electrodoméstico. Para los alimentos que se peguen, pruebe usar Soft Scrub® o Bar Keepers Friend® para limpiar la superficie de cocción de la plancha.

ALMACENAMIENTO

Desenchufe la unidad, antes de guardarla, permita que se enfríe y límpiela. Guárdela en un lugar limpio y seco. Nunca guarde la plancha mientras esté caliente o enchufada. Nunca apriete el cable al enredarlo alrededor del electrodoméstico, ya que puede causar que el cable se deshilache y se rompa.

RESOLUCIÓN DE PROBLEMAS O FALLAS

PROBLEMA	CAUSA POSIBLE	SOLUCIÓN
La terminación de la plancha tiene marcas de cortes.	Puede que se utilizaran utensilios de metal.	Siempre utilice utensilios de plástico, nylon o madera resistentes al calor para evitar rayar la superficie de la plancha. Nunca utilice pinchos, pinzas, tenedores o cuchillos de metal.
La plancha no está cocinando bien; los alimentos no están suficientemente cocinados.	La plancha no se precalentó completamente antes de usar.	Siempre precaliente la plancha hasta que la luz al lado de la temperatura seleccionada se quede prendida constante.
Hay acumulación de alimentos sobre la plancha.	La plancha no se limpió de forma adecuada luego de su uso.	Use una almohadilla de nailon y agua caliente jabonada para limpiar la plancha. No use estropajos de aluminio o limpiadores abrasivos para limpiar la superficie antiadherente.
La plancha no enciende.	La plancha no está conectada.	Revise si el electrodoméstico está enchufado a un tomacorriente que funcione y que la sonda de control de temperatura esté encendida y ajustada al nivel que desee.
La plancha tiene manchas blancas.	El agua de limpiar se secó sobre la superficie de la plancha.	Seque la plancha inmediatamente después de lavarla.

RECETAS

Encuentre aun más recetas para preparar comidas saludables gourmet en www.georgeforemancooking.com

CENA DE POLLO RÁPIDA

1 cda. de romero fresco, picado

1 cda. de hojas de tomillo frescas, picadas

1 diente de ajo grande, picadito

1½ cdta. sal

¼ cdta. pimienta negra gruesa

2 cdta. de aceite de oliva

1 lb. filetes de pollo

¾ lb. papas rojas, en rebanadas

1 cebolla blanca pequeña, a la mitad y en tajadas finas

1 cebolla roja pequeña, a la mitad y en tajadas finas

Perejil picado

En un recipiente pequeño, combine el romero, el tomillo, el ajo, la ½ cdta. de sal, 1/8 cdta. de pimienta y 1 cdta. de aceite de oliva. Coloque el pollo en un recipiente mediano. Añada la mitad de la mezcla de romerillo y mezcle. Deje el resto aparte. Permita que se adobe durante 10 minutos.

Precaliente la plancha a 350 °F. Sofría las papas y la cebolla en el resto del aceite de oliva alrededor de 5 minutos. Sazónelas con la mezcla de romero reservada, la cdta. de sal y 1/8 cdta. de pimienta. Vírelas ocasionalmente para que se cocinen de forma uniforme.

Presione el botón de SELLAR (SEAR). Cuando el área de cocción Hot Zone™ se precalienta, la luz indicadora SELLAR (SEAR) deja de titilar. Añada el pollo y abráselo 1 minuto por cada lado. Mientras tanto, continúe cocinando la mezcla de papa hasta que se suavice, revolviendo a menudo.

Continúe cocinando el pollo hasta que se haga por completo (un termómetro para carne insertado en el filete debe registrar 180 °F).

Rinde de 3 a 4 porciones.

CAMARONES A LA PLANCHA

2 cda. de cilantro fresco, picado
2 dientes de ajo grandes, picaditos
½ cda. de sal
½ cda. de pimienta roja aplastada
2 cdas. jugo de limón fresco
1 cda. de aceite de oliva
¾ lb. camarones jumbo, sin piel ni vena
¾ taza de cebollinos en tajadas
¾ taza de pimiento rojo picado
1½ tazas de hojas de espinaca bebé empaquetada
1 taza de maíz de mazorca entera

En un recipiente mediano, combine 1 cda. de cilantro picado, 1 diente de ajo, ¼ cda. de sal, la pimienta roja, el jugo de limón y 2 cdas. de aceite de oliva. Añada los camarones y revuelva para que se cubran bien. Permita que se adoben por lo menos 10 minutos.

Pre caliente la plancha a 350 °F. Sofría los cebollinos y la pimienta roja en el resto de las 2 cda. de aceite de oliva alrededor de 2 minutos. Sazone con el resto del ajo picado y la ¼ cda. de sal.

Presione el botón de SELLAR (SEAR); cuando el área de cocción Hot Zone™ se precaliente la luz indicadora de SELLAR (SEAR) dejará de titilar. Añada los camarones y déjelos SELLAR 1 minuto por cada lado. Mientras tanto, continúe cocinando la mezcla de pimiento, revolviendo a menudo.

Continúe cocinando los camarones hasta que hagan completamente; añada la espinaca y el maíz a la mezcla de pimiento y cocínelos hasta que la espinaca se marchite.

Rinde 3 porciones.

SALMÓN CON SABOR A NARANJA

1 cebolla morada pequeña, a la mitad y en tajadas
1 cda. aceite de oliva
¾ cda. de sal
1/8 cda. pimienta
½ lb. filete de salmón
1 cda. eneldo fresco picado
1 naranja sin semillas grande, en tajadas
1 cda. perejil picado

Pre caliente la plancha a 350 °F. Sofría la cebolla en aceite de oliva por 2 minutos, revolviendo a menudo. Añada ¼ cda. de sal y pimienta.

Presione el botón de SELLAR (SEAR); cuando el área de cocción Hot Zone™ se precaliente, la luz indicadora de SELLAR (SEAR) deja de titilar. Sazone el salmón con el resto de la 1 cda. de sal y déjelo SELLAR 1 minuto por cada lado. Mientras tanto, continúe cocinando la cebolla revolviendo a menudo.

Mueva el salmón a la superficie de cocción regular de la plancha. Rocíelo con el eneldo. Continúe cocinándolo de 3 a 4 minutos.

Presione el botón de SELLAR (SEAR) otra vez; cuando el área de cocción Hot Zone™ se precaliente, la luz indicadora de SELLAR (SEAR) deja de titilar. Añada las tajadas de naranja y déjelas SELLAR 1 minuto por cada lado.

Cocinar hasta que el salmón se desmenuce fácilmente al probarlo con un tenedor.

Servir adornado con la cebolla y la naranja. Rocíe con perejil.

Rinde 2 porciones.

BISTEC A LA ROMA

- 1 cebolla pequeña, a la mitad y en tajadas
- 1½ tazas de calabacín en tajadas
- 1 calabaza amarilla pequeña, a la mitad y en tajadas
- 1 cda. aceite de oliva
- 1 tomate Roma, picado en trozos
- 2 cda. albahaca fresca picada en juliana
- ½ cda. de sal
- ½ cda. pimienta negra
- 2 tajadas finas de filete sin hueso (alrededor de 6 oz.)
- ½ cda. sazón Adobo

Pre caliente la plancha a 350 °F. Sofría la cebolla, el calabacín y la calabaza amarilla en aceite de oliva por 5 minutos, revolviendo a menudo. Añada la albahaca, la sal y la cda. de pimienta.

Presione el botón de SELLAR (SEAR) otra vez; cuando el área de cocción Hot Zone™ se precalienta, la luz indicadora de SELLAR (SEAR) deja de titilar. Mientras tanto, sazone la carne por ambos lados con sazón Adobo y el resto del ¼ cda. de pimienta.

Deje la carne SELLAR 1 minuto por cada lado. Mientras tanto, continúe cocinando la mezcla de vegetales hasta que se suavicen, revolviendo a menudo.

Rinde 2 porciones.

VIEIRAS MARINAS ADOBADAS A LA ASIATICA

- ¾ lb. vieiras marinas
- 3 cdas. adobo teriyaki en botella
- 2 cda. jengibre fresco rayado
- 1 diente de ajo mediano, picado
- 1 cda. aceite de ajonjolí
- 1 paquete (3.5 oz.) de champiñones de ostra frescos*
- 1½ tazas de guisantes frescos (alrededor de 3 oz.)
- 1 taza zanahorias juliana
- 1/3 taza de pimienta roja picado
- 2 cda. Aceite vegetal

En un recipiente mediano, mezcle 2 cdas. de adobo teriyaki, 1 cda. de jengibre rayado y ½ cda. de aceite de ajonjolí. Añada las vieiras y déle vueltas para cubrirlos. Permita que se adoben por lo menos 10 minutos.

Pre caliente la plancha a 350 °F. Sofría los champiñones, los guisantes, las zanahorias y el pimienta rojo en aceite vegetal alrededor de 2 minutos. Sazónelos con el resto de la 1 cda. de jengibre.

Presione el botón de SELLAR (SEAR; cuando el área de cocción Hot Zone™ se precalienta, la luz indicadora de SELLAR (SEAR) deja de titilar. Añada las vieiras y déjelas SELLAR 1 minuto por cada lado. Mientras tanto continúe cocinando la mezcla de champiñones, revolviendo a menudo.

Continúe cocinando las vieiras y los vegetales hasta que se hagan completamente, añadiendo el resto de la 1 cda. de salsa teriyaki a la mezcla de vegetales.

Rinde 3 porciones.

*Los champiñones de ostra pueden ser sustituidos por champiñones de Shitake.

NEED HELP?

For service, repair or any questions regarding your appliance, call the appropriate 800 number on cover of this book. Please **DO NOT** return the product to the place of purchase. Also, please **DO NOT** mail product back to manufacturer, nor bring it to a service center.

You may also want to consult the website listed on the cover of this manual.

Three-Year Limited Warranty

(Applies only in the United States and Canada)

What does it cover?

- Any defect in material or workmanship provided; however, Applica's liability will not exceed the purchase price of product.

For how long?

- Three years from the date of original purchase with proof of such purchase.

What will we do to help you?

- Provide you with a reasonably similar replacement product that is either new or factory refurbished.

How do you get service?

- Save your receipt as proof of date of sale.
- Check our on-line service site at www.prodprotect.com/applica, or call our toll-free number, 1-800-231-9786, for general warranty service.
- If you need parts or accessories, please call 1-800-738-0245.

What does your warranty not cover?

- Damage from commercial use
- Damage from misuse, abuse or neglect
- Products that have been modified in any way
- Products used or serviced outside the country of purchase
- Glass parts and other accessory items that are packed with the unit
- Shipping and handling costs associated with the replacement of the unit
- Consequential or incidental damages (Please note, however, that some states do not allow the exclusion or limitation of consequential or incidental damages, so this limitation may not apply to you.)

How does state law relate to this warranty?

- This warranty gives you specific legal rights, and you may also have other rights that vary from state to state or province to province.

Made in People's Republic of China
Printed in People's Republic of China

¿NECESITA AYUDA?

Para servicio, reparaciones o preguntas relacionadas al producto, por favor llame gratis al número "800" que aparece en la cubierta de este manual. No devuelva el producto al establecimiento de compra. No envíe el producto por correo al fabricante ni lo lleve a un centro de servicio. También puede consultar el sitio web que aparece en la cubierta de este manual.

Tres años de garantía limitada (Aplica solamente en Estados Unidos o Canadá)

¿Qué cubre la garantía?

- La garantía cubre cualquier defecto de materiales o de mano de obra. Aplica no se responsabiliza por ningún costo que exceda el valor de compra del producto.

¿Por cuánto tiempo es válida la garantía?

- Por tres años a partir de la fecha original de compra mientras que tenga una prueba de la compra.

¿Qué clase de asistencia recibe el consumidor?

- El consumidor recibe un producto de reemplazo nuevo o restaurado de fábrica, parecido al original.

¿Cómo se obtiene el servicio necesario?

- Conserve el recibo original como comprobante de la fecha de compra.
- Se puede visitar el sitio web de asistencia al consumidor www.prodprotect.com/applica, o se puede llamar gratis al número 1-800-231-9786, para obtener información relacionada al servicio de garantía.
- Si necesita piezas o accesorios, por favor llame gratis al 1-800-738-0245.

¿Qué aspectos no cubre esta garantía?

- Los daños al producto ocasionados por el uso comercial
- Los daños ocasionados por el mal uso, abuso o negligencia
- Los productos que han sido alterados de cualquier manera
- Los productos utilizados o reparados fuera del país original de compra
- Las piezas de vidrio y demás accesorios empacados con el aparato
- Los gastos de tramitación y embarque relacionados con el reemplazo del producto
- Los daños y perjuicios indirectos o incidentales (sin embargo, por favor observe que algunos estados no permiten la exclusión ni la limitación de los daños y perjuicios indirectos ni incidentales, de manera que esta restricción podría no aplicar a usted).

¿Qué relación tiene la ley estatal con esta garantía?

- Esta garantía le otorga derechos legales específicos y el consumidor podría tener otros derechos que varían de una región a otra.

Fabricado en la República Popular de China
Impreso en la República Popular de China